

[Show All Answers](#)[Hide All Answers](#)

Synchronization and metastability

★ indicates problems that have been selected for discussion in section, time permitting.

Problem 1. Which of the following cannot be made to function with perfect reliability, assuming reliable components and connections. Explain your reasoning. Some of the specifications refer to "bounded time" which means there is a specified time interval, measured from the most recent input transition, after which the output is stable and valid.

- A. ★ A circuit that in unbounded time indicates which of two game show contestants pressed their button first.

[Hide Answer](#)

It is possible to build this unbounded-time arbiter. It may take an arbitrary period, after which it will produce (1) a decision and (2) a signal that indicates that its made a decision.

- B. ★ A circuit that in bounded time indicates which of two game show contestants pressed their button first.

[Hide Answer](#)

This is a restatement of the "bounded time arbiter problem", known to be unsolvable in theory. In practice we can build a circuit to solve this problem where the probability of failure is related to tPD. For "large" tPD (eg, 10's of nanoseconds in today's technologies) the probability of failure can be made very small (eg, 1 failure in billions of years).

- C. A circuit that determines if button A was pressed before a specified deadline. Assume the circuit has an accurate internal signal that transitions from 0 to 1 when the deadline is reached. The output should be 1 if the button was pressed on or before the deadline, 0 if pressed after the deadline. The output should be valid and stable within a specified tPD of the A input transition.

[Hide Answer](#)

This is another restatement of the "bounded time arbiter problem", known to be unsolvable in theory. Of course, given sufficiently long time bounds, we can engineer practical approximate solutions (see the answer to the previous question).

- D. A circuit that in bounded time indicates which of two game show contestants pressed their button first if the presses were more than 0.1 second apart, otherwise the circuit lights up a "TIE" light.

[Hide Answer](#)

This circuit will suffer metastability problems because the decision as to whether the presses were 0.1 seconds apart is subject to metastability problems.

- E. A circuit that in bounded time indicates that at least one button has been pressed by some contestant.

Hide Answer

An OR gate will do the job.

- F. ★ A circuit that in bounded time indicates that exactly one of the contestants has pressed their button. You can assume there are only two contestants.

Hide Answer

An XOR gate will meet the spec.

- G. A circuit that has two parts: (a) a subcircuit that indicates which of two game show contestants pressed their button first, and (b) a subcircuit that in bounded time lights a "TIE" light if the (a) subcircuit hasn't produced an answer after 1 second. The "TIE" light should stay lit even if (a) makes a decision at some later point.

Hide Answer

Both subcircuits will suffer metastability problems. (a) is asking for an arbiter (see part B above) and (b) has the same difficulties as outlined for part C above.

- H. A circuit that converts button presses from two contestants into the following two-bit output encoding. The circuit has two inputs, A and B, one for each contestant. A contestant's input transitions from 0 to 1 when she presses her button.

00 if neither contestant is pressing their button
 01 if contestant A is pressing her button
 10 if contestant B is pressing her button
 11 if both contestants are pressing their buttons

The output should be valid and stable within a specified tPD of the most recent input transition.

Hide Answer

Easy! The low-order bit of the encoding is the signal from A, the high-order bit is the signal from B. Nothing to go metastable here.

Problem 2. A judge is routinely given 60 seconds to make yes-or-no decisions. Which of the following techniques allows him to do it with perfect reliability, in light of the unrealizability of a perfect bounded-time arbiter?

- A. ★ He can do it reliably simply by flipping a coin.

Hide Answer

In theory the coin flip has its own metastability problem: the coin may balance on its edge and hence may not reliably produce an answer in the time required. Since the judge is depending on the coin, he may also not produce an answer in the time required.

In general the mapping of any continuous input variable (eg, the position of the coin) into a discrete output value (eg, "yes" or "no") is subject to metastability problems if *all* input values have to be mapped in bounded time to valid output values.

- B. ★ He can do it reliably by asking his clerk and responding "yes" unless his clerk has answer in 55 seconds.

Hide Answer

The decision as to whether the clerk has answered in 55 seconds is subject to metastability problems, hence the judge may not respond reliably.

- C. ★ He can do it reliably by always answering "no", independently of the question.

Hide Answer

It's true the judge will always respond reliably. Ignoring the input is a valid (if not very satisfying) technique for solving the metastability problem.

Problem 3. Cambridge Logic and Magic, Inc is a new startup founded by a group of ex-MIT students who dropped out of 6.004 just before Lecture 8. They are trying to develop a reliable, bounded-time arbiter that behaves as follows:

Two combinational inputs, A and B, each have a single 0-to-1 transition. The arbiter has a single output, which may be safely sampled one microsecond following the transition on the A input, at which point it is guaranteed (with 100% reliability) to have a valid logic level. If the A transition precedes the B transition by more than 100ns, the output is to be 0 when sampled; if the B transition precedes A by more than 100ns, the output is to be 1 when sampled. If the transitions are within 100ns of each other, either a 1 or a 0 may be present. In all cases, the output is stable and valid for a 10ns interval surrounding the time at which it is to be sampled.

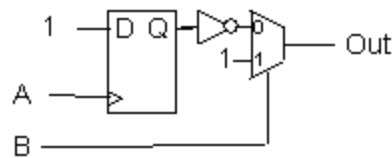
The four CLMI founders each have a proposed design for such an arbiter. Your job is to identify the problem in each design, citing a specific scenario in which it fails to meet its spec. [If you're unable to convince yourself that any scheme doesn't work, perhaps you should consider dropping out and starting a company!]

Assume in the following designs that (1) All registers start in the 0 state; (2) that transitions on each of the input signals are instantaneous and surrounded by long setup and hold times; and (3) that component timings are short compared to the one microsecond delay.

- A. ★ The first scheme involves a D register and a lenient MUX. It's proponent argues

that it can't go metastable, since the dynamic discipline is always obeyed on the register inputs.

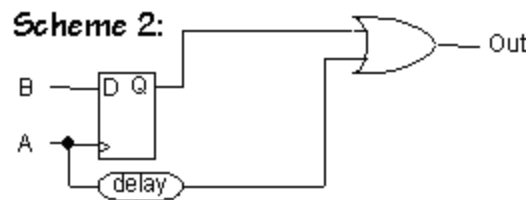
Scheme 1:



Hide Answer

It's true that this circuit has no metastability problems, but it gets the wrong answer. Suppose the A transition happens more than 100ns before the B transition but the output is sampled after the B transition has arrived and propagated through the MUX. Under this situation the output will be a 1 when it is supposed to be a 0.

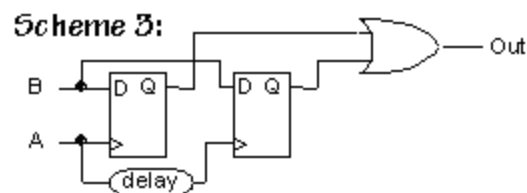
- B. The second scheme involves a 50ns delay and a lenient OR gate. If the output of the register is metastable, the inventor argues, the gate's output will be forced to a valid level by the delayed copy of A. The delay is 50 ns.



Hide Answer

This circuit also has no metastability problems, but it too gets the wrong answer. Suppose the A transition happens more than 100ns before the B transition. Since the output is sampled one microsecond after the A transition happens, that transition will have enough time to propagate through the delay and through the OR gate. Since the OR gate is lenient it will output a 1 regardless of what the input from the register is (even if the register is metastable). Thus, regardless of which signal arrives first, the output will always be a 1. But the output should be 0 when A happens at least 100ns before B.

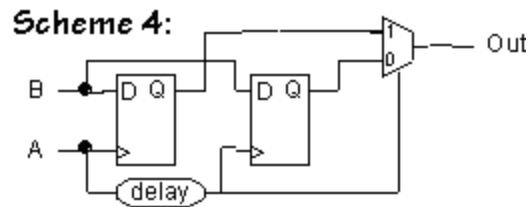
- C. ★ The third scheme involves a pair of D registers sharing the B input. The delay is 50 ns, a time chosen to ensure that if setup/hold times are violated for either of the registers the other will see valid input timing. The OR gate is lenient.



Hide Answer

This scheme fails when the B transition happens 50ns after the A transition. In this situation the first register will output a 0 since the rising edge of the A signal arrived before B transitioned from 0 to 1. However, in the second register, the D input arrives at the same time as the clock. Thus the register may become metastable and generate an invalid output. So the OR gate receives a 0 input from the first register and a potentially invalid input from the second register. Thus the OR gate may also generate an invalid output.

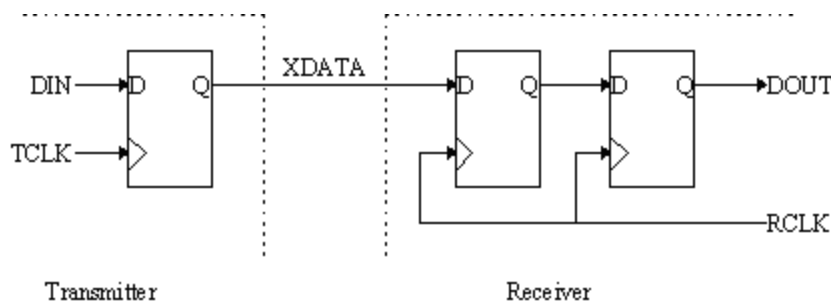
- D. The fourth scheme involves a pair of D register and a delay similar to Scheme 3, but uses a MUX to select the output from a non-metastable flipflop:



Hide Answer

Since the output is sampled 1 microsecond after the A transition happens, the transition has enough time to propagate through the delay, into the MUX where it switches MUX to output the result of the first register. Thus the circuit effectively consists of the first register. If the A transition happens at the same time as the B transition, then first register may be metastable and may generate an invalid output, causing the MUX to generate an invalid output.

Problem 4. Ben Bitdiddle has been hired as a consultant by Two Bit Electronics, a firm specializing in communications channels that are two bits wide. TBE has discovered that its latest product has been failing now and then at various customer sites and is worried that the design may have a problem with metastability. Ben starts by checking the schematics for one bit of the transmission channel:



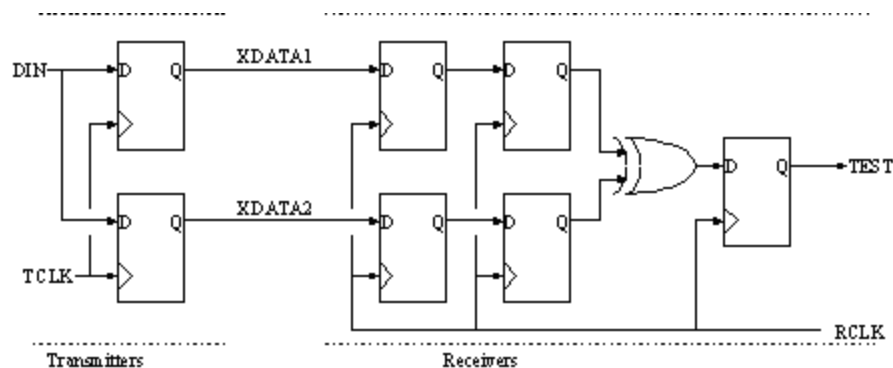
- A. ★ A TBE engineer explains that although TCLK and RCLK have the same frequency, their phases may differ. Ben notes with approval the 2 D-registers in the receiver, which are configured as a **pulse synchronizer**, a circuit intended to ensure that the probability of DOUT entering the metastable state is very small. Briefly explain how the pulse synchronizer accomplishes this goal. Hint: Because the input to the receiver is asynchronous with RCLK, the left-most register in the receiver can enter a metastable state. But the probability that the input to the right-most register in the receiver does not meet that register's setup time can be made as small as desired by

increasing the period of RCLK. Why?

Hide Answer

Whenever we create a circuit that has an input generated by a system running with a different clock (or no clock at all), we run the risk of entering a metastable state in our registers that use this input. This can happen since the asynchronous input could be transitioning during the period of time before and after the rising clock edge that a register requires the input to be stable. However, the longer a signal stays in a positive-feedback storage element (like those in a register), the more likely it is to leave the metastable state and yield a valid output level. By chaining registers together, we increase the amount of time during which the signal stays in a positive-feedback loop before we use its value in our logic.

- B. The engineer now shows Ben the schematic for a test jig that he says illustrates the problem that's been discovered. The test jig consists of two one-bit channels running in parallel with the two DIN inputs of the transmitter connected to a single data stream. The DOUT outputs of the two receivers are connected to an XOR gate that, in theory, should always produce a "0" since both receivers are getting the same data stream. In order to filter out any glitches in the XOR output introduced by small differences in tPD of the output registers of the two receivers another register has been added to the output of the XOR gate:



Every once in a while TEST is observed to be "1" for one period of RCLK. Give a brief explanation of why this happens. You can assume that DIN is meeting the setup time of the transmitter registers and that the value for DIN changes much less frequently than TCLK/RCLK. Hint: it has nothing to do with the register that was added to deglitch the TEST output. Think about what's happening in the two pulse synchronizers and why they might generate different outputs for a single clock cycle.

Hide Answer

A first-look at the test jig seems to imply that DOUT should always be 0, since $XDATA1 = XDATA2$. However, when a register enters a metastable state, we *don't know which value the output will eventually reach*. Thus, if one or both of the registers enters a metastable state, its output could be either 0 or 1. Thus, the output of the two registers could be different causing the XOR gate to generate a 1.

- C. TBE now realizes that their plan to send two bits at a time by using two independent synchronizers won't work. "Okay," they say, "we'll just transmit one bit at a time, use a single synchronizer and crank up the clock frequency." Ben observes that this

circuit still won't result in completely accurate communication, i.e., the waveform produced by the receiver on DOUT still won't be the same as the waveform produced by the transmitter on XDATA. Give a brief explanation of why Ben is right.

Hide Answer

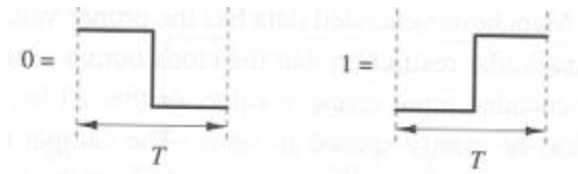
Pulse synchronizers can be used to solve metastability problems arising from asynchronous inputs but the synchronization process introduces changes in the timing of the data waveform. All transitions in the bit stream output by the synchronizer will happen on the rising edge of the receiver clock, and hence the timing between transitions will be some multiple of the receiver clock period. If there was information carried by the timing of transitions in the transmitted bit stream, it's lost (or at least garbled) by the synchronizers.

- D. Ben explains that communications between asynchronous systems is a tricky business! If the input stream isn't too fast compared to the receive clock, a pulse synchronizer will reliably reproduce any transitions in the input waveform, although the exact timing between the transitions in the output waveform will not be the same as in the incoming waveform.

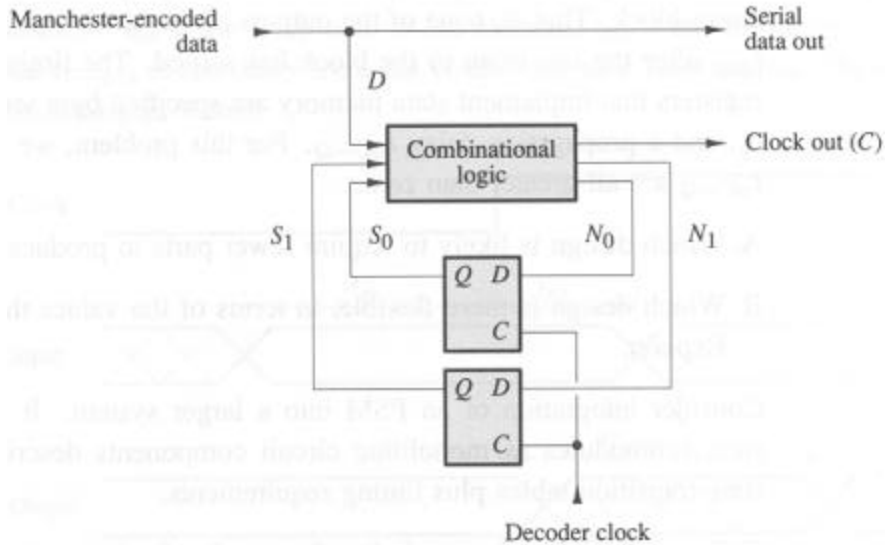
[Hard] Can you think of a way to encode a bit stream using transitions rather than levels to convey the information? Describe your encoding scheme and the signals that would be output by your receiver.

Hide Answer

Manchester encoding can be used to transmit a stream of bits over a single data wire, with no auxiliary clock information. Each bit is represented by one of the following patterns, where T is the period of the clock used to encode the signal. Note that a Manchester-encoded signal always changes value in the middle of each bit cell.



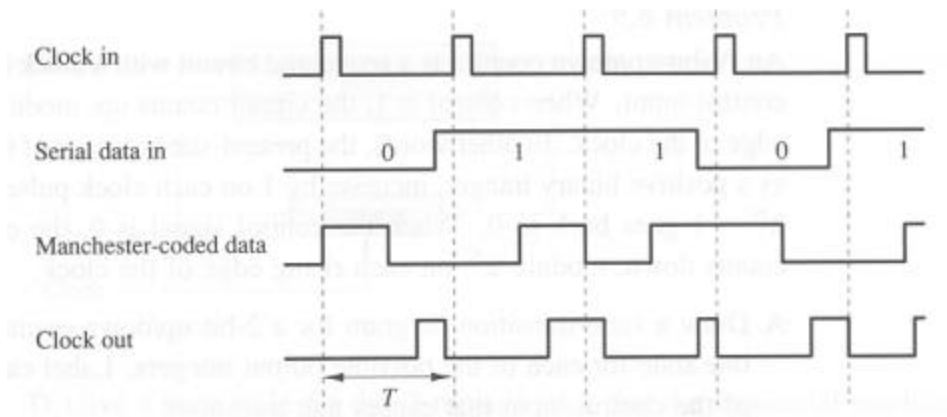
A block diagram of a Manchester *decoder* is shown below. The decoder is a clocked sequential machine whose state memory consists of just two edge-triggered D flip-flops.



The combinational portion of the decoder has as inputs the Manchester-encoded signal and the current state of the two flip-flops. The combinational logic outputs the next state N_1 and N_0 for the two flip-flops and the clock signal C generated for the stream of serial data. The truth table of the combinational logic is as follows:

S_1	S_0	D	N_1	N_0	C
0	0	0	0	1	1
0	0	1	0	1	1
0	1	0	1	0	0
0	1	1	1	1	0
1	0	0	1	0	0
1	0	1	0	0	0
1	1	0	0	0	0
1	1	1	1	1	0

Note that the serial data out from the decoder is just a copy of the Manchester-encoded data in. Thus the decoder must place positive transitions in its clock output C timed to correspond to the correct logic values *already present* in the Manchester-encoded stream. The positive-going edge of each clock pulse must occur while the Manchester-encoded data has the proper value for the serial output; but there is no particular restriction that the clock output must return to zero before the Manchester-encoded input changes value, or that all output clock pulses be of the same duration or evenly spaced in time. The sample timing diagram below shows an original stream of serial input data and its clock, the result of Manchester-encoding that stream, and a clock output waveform that meets the conditions stated. (This is not intended to imply that the specific "clock out" signal shown would actually be generated by the above circuit.)



The period of the "decoder clock" that drives the D flip-flops need not be T ; in general, it will be faster.