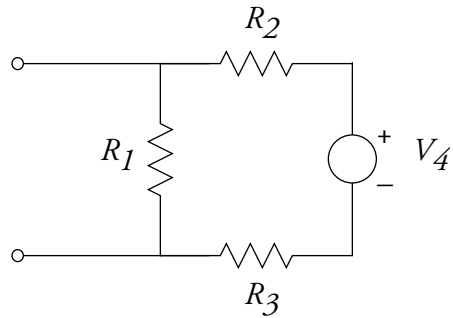


Problem S6 (Signals and Systems)

Find the Thevinin and Norton equivalent circuits for the circuits below:

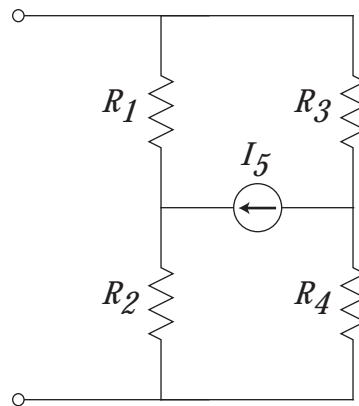
1.



where

$$R_1 = 3 \Omega, \quad R_2 = 4 \Omega, \quad R_3 = 2 \Omega, \quad V_4 = 12 \text{ V}$$

2.



where

$$R_1 = 1 \Omega, \quad R_2 = 4 \Omega, \quad R_3 = 4 \Omega, \quad R_4 = 1 \Omega, \quad V_5 = 10 \text{ V}$$