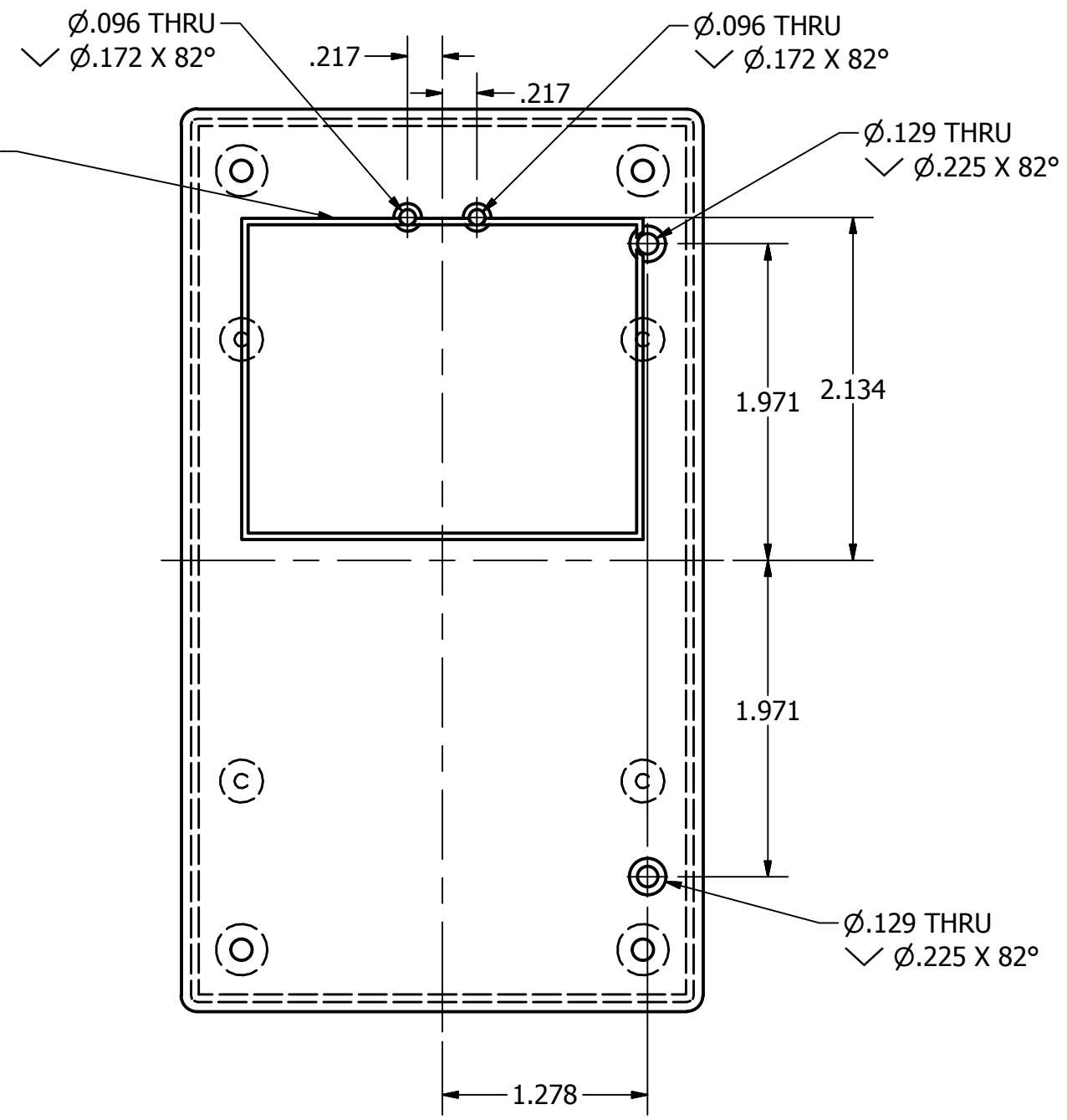


Note location of insert area. Printing details in separate document.



DRAWN markchilenski	12/7/2013	TITLE		
CHECKED				
QA		MIT Geiger Counter Bottom		
MFG				
APPROVED		SIZE C	DWG NO Serpac_052C_bottom	REV
		SCALE	SHEET 1 OF 1	

MIT OpenCourseWare  
<http://ocw.mit.edu>

22.S902 Do-It-Yourself (DIY) Geiger Counters  
January IAP 2015

For information about citing these materials or our Terms of Use, visit: <http://ocw.mit.edu/terms>.