

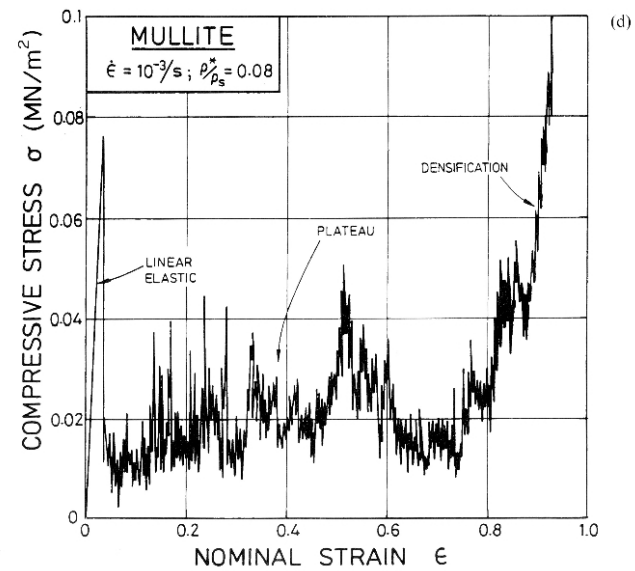
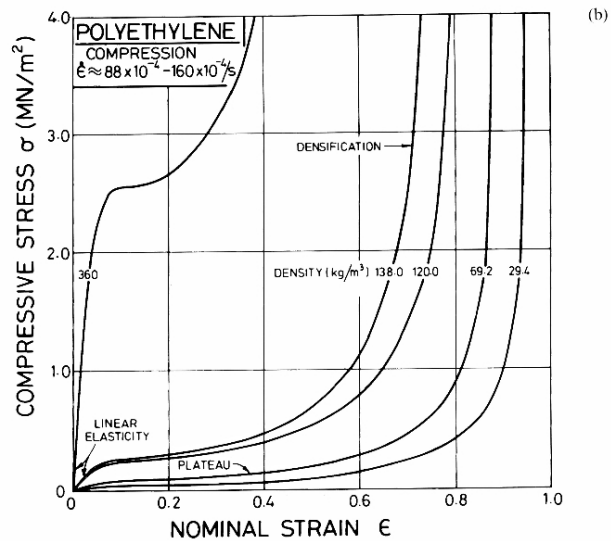
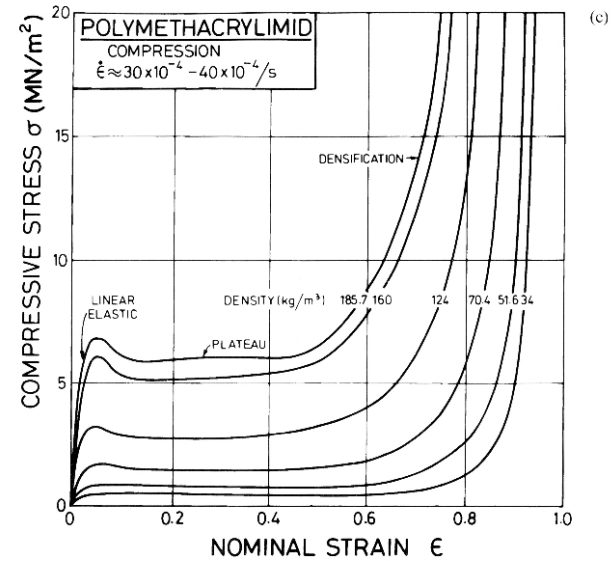
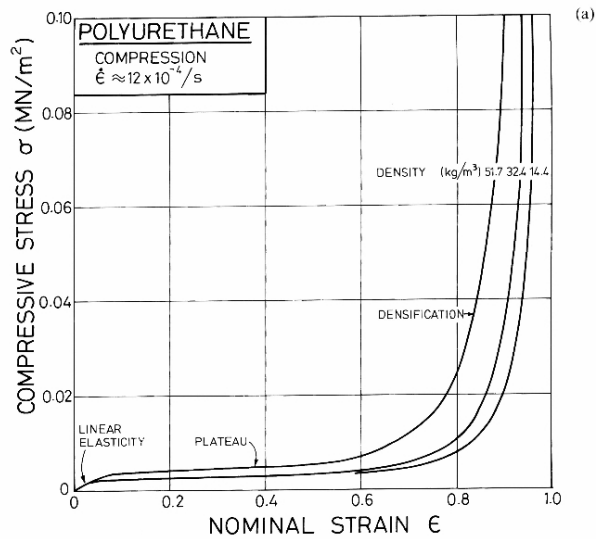
Lecture 7, Foams, 3.054

Open-cell foams

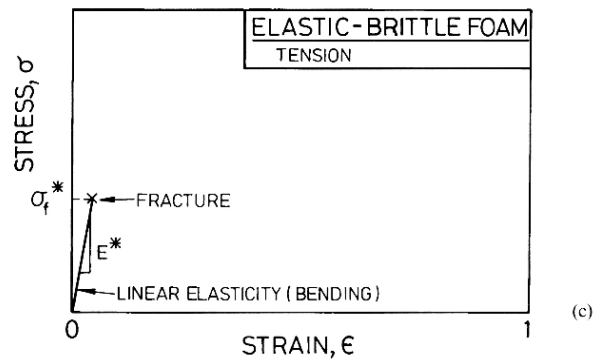
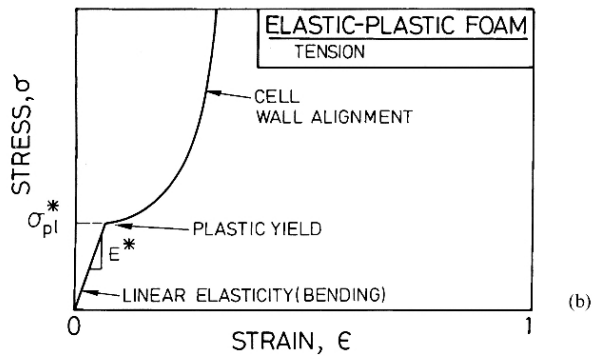
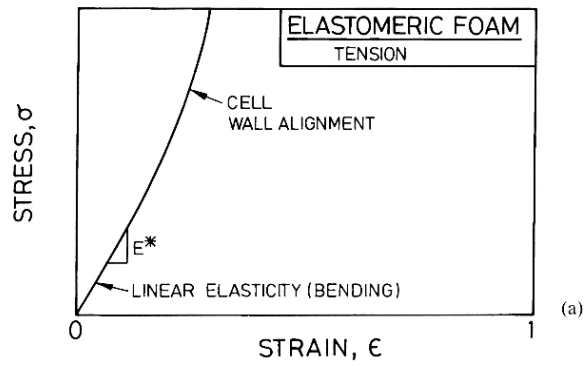
- Stress-Strain curve: deformation and failure mechanisms
- Compression - 3 regimes - linear elastic - bending
 - stress plateau - cell collapse by buckling
 - yielding
 - crushing
 - densification
- Tension - no buckling
 - yielding can occur
 - brittle fracture

Linear elastic behavior

- Initial linear elasticity - bending of cell edges (small t/l)
- As t/l goes up, axial deformation becomes more significant
- Consider dimensional argument, which models mechanism of deformation and failure, but not cell geometry
- Consider cubic cell, square cross-section members of area t^2 , length l



Gibson, L. J., and M. F. Ashby. *Cellular Solids: Structure and Properties*. 2nd ed. Cambridge University Press, © 1997. Figures courtesy of Lorna Gibson and Cambridge University Press.

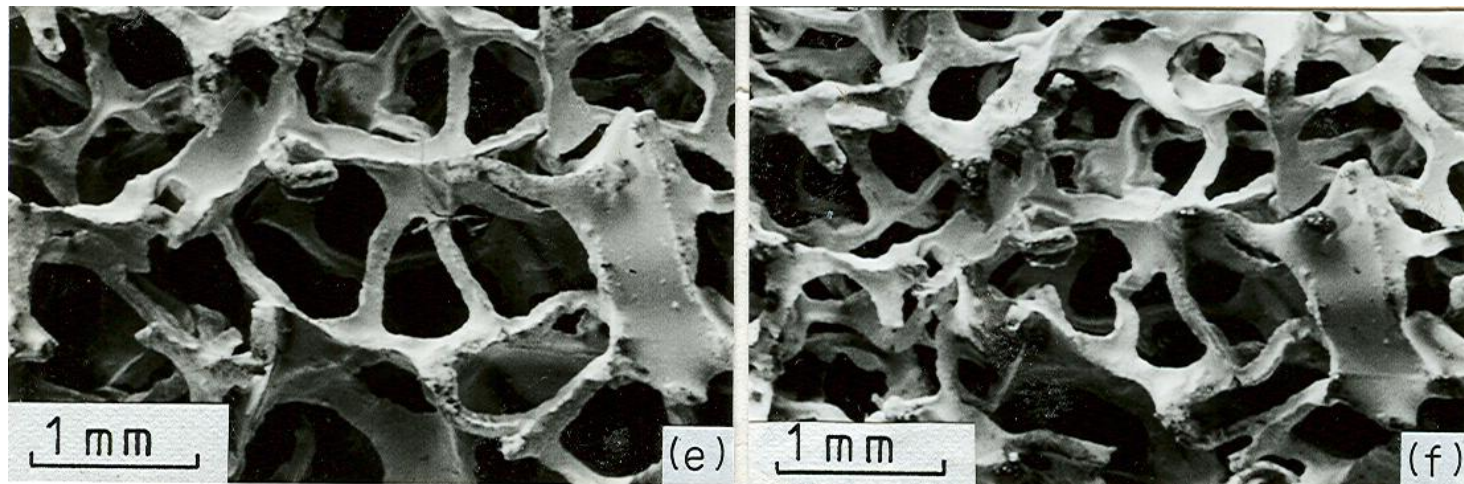


Gibson, L. J., and M. F. Ashby. *Cellular Solids: Structure and Properties*. 2nd ed. Cambridge University Press, © 1997. Figure courtesy of Lorna Gibson and Cambridge University Press.

Foams: Bending, Buckling

Figure removed due to copyright restrictions. See Fig. 3: Gibson, L. J., and M. F. Ashby. "[The Mechanics of Three-Dimensional Cellular Materials](#)." *Proceedings of The Royal Society of London A* 382 (1982): 43-59.

Foams: Plastic Hinges



Gibson, L. J., and M. F. Ashby. *Cellular Solids: Structure and Properties*. 2nd ed. Cambridge University Press, © 1997. Figure courtesy of Lorna Gibson and Cambridge University Press.

Foams: Cell Wall Fracture

Figure removed due to copyright restrictions. See Fig. 3: Gibson, L. J., and M. F. Ashby. "[The Mechanics of Three-Dimensional Cellular Materials](#)." *Proceedings of The Royal Society of London A* 382 (1982): 43-59.

- Regardless of specific geometry chosen:

$$\rho^*/\rho_s \propto (t/l)^2 \quad I \propto t^4$$

$$\sigma \propto F/l^2 \quad \epsilon \propto \delta/l \quad \delta \propto \frac{Fl^3}{E_s I}$$

$$E^* \propto \frac{\sigma}{\epsilon} \propto \frac{F}{l^2} \frac{l}{\delta} \propto \frac{F}{l} \frac{E_s t^4}{Fl^3} \propto E_s \left(\frac{t}{l}\right)^4 \propto E_s \left(\frac{\rho^*}{\rho_s}\right)^2$$

$$\boxed{E^* = C_1 E_s (\rho^*/\rho_s)^2}$$

C_1 includes all geometrical constants
Data: $C_1 \approx 1$

- Data suggests $C_1 = 1$
- Analysis of open cell tetrakaidecahedral cells with Plateau borders gives $C_1 = 0.98$

- Shear modulus $\boxed{G^* = C_2 E_s (\rho^*/\rho_s)^2}$ $C_2 \sim 3/8$ if foam is isotropic

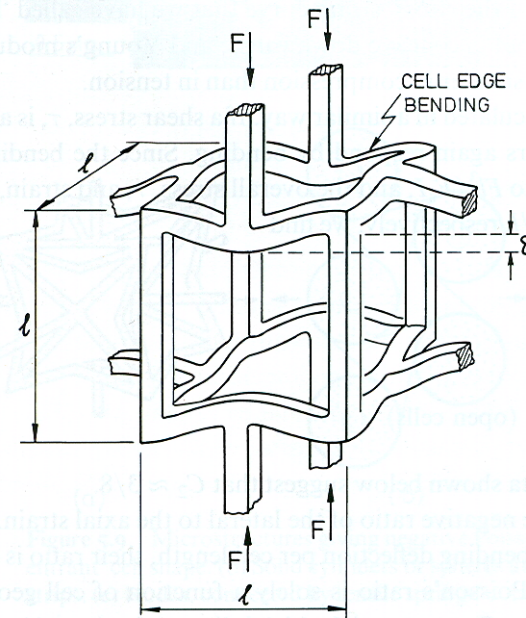
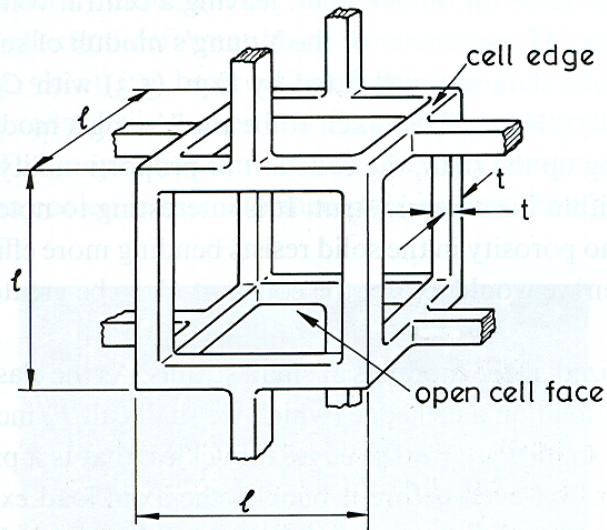
Isotropy: $G = \frac{E}{2(1+\nu)}$

- Poisson's ratio: $\nu^* = \frac{E}{2G} - 1 = \frac{C_1}{2C_2} - 1 = \text{constant}$, independent of E_s , t/l

$$\boxed{\nu^* = C_3}$$

(analogous to honeycombs in-plane)

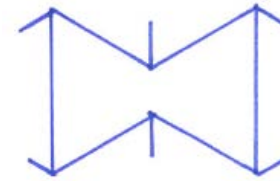
Foam: Edge Bending



Gibson, L. J., and M. F. Ashby. *Cellular Solids: Structure and Properties*. 2nd ed. Cambridge University Press, © 1997. Figure courtesy of Lorna Gibson and Cambridge University Press.

Poisson's ratio

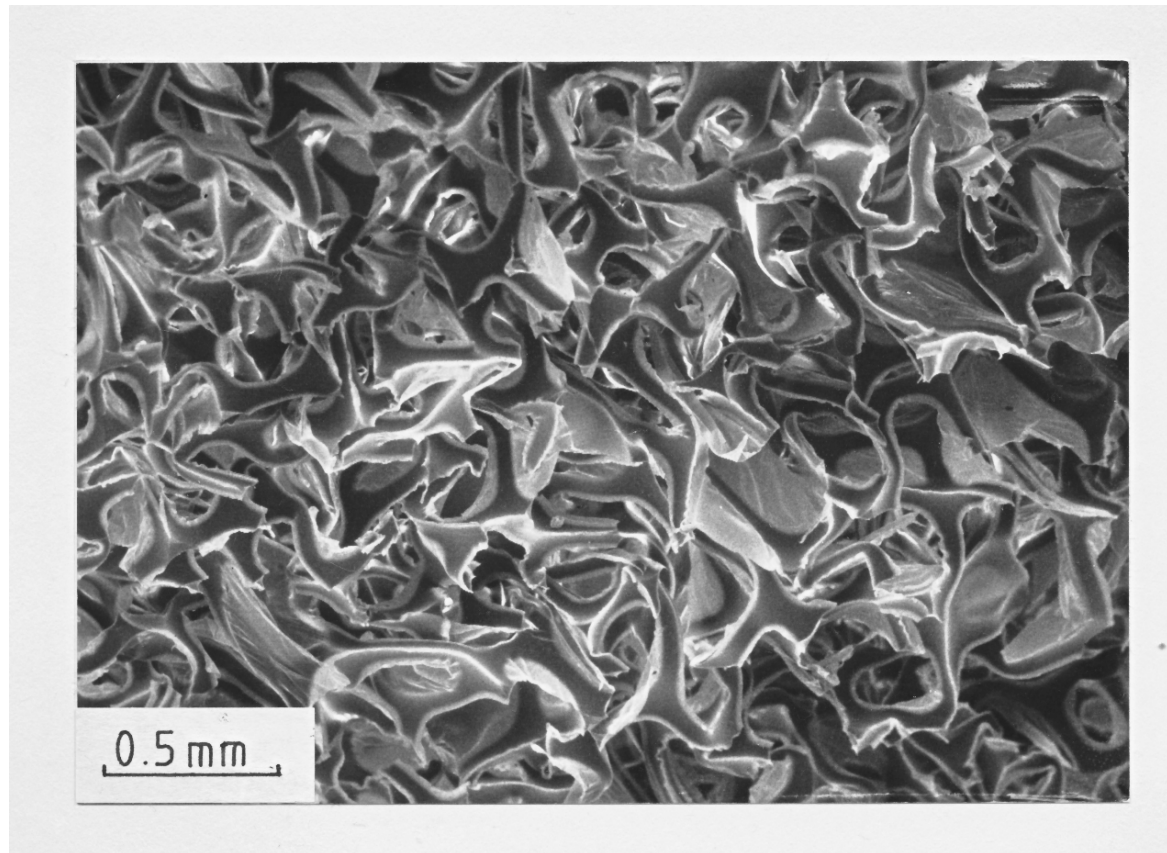
- Can make negative Poisson's ratio foams
- Invert cell angles (analogous to honeycomb)
- Eg. thermoplastic foams - load hydrostatically and heat to $T > T_g$, then cool and release load so that edges of cell permanently point inward



Closed-cell foams

- Edge bending as for open cell foams
- Also: face stretching and gas compression
- Polymer foams: surface tension draws material to edges during processing
 - define t_e, t_f in figure
- Apply F to the cubic structure

Negative Poisson's Ratio



Gibson, L. J., and M. F. Ashby. *Cellular Solids: Structure and Properties*. 2nd ed. Cambridge University Press, © 1997. Figure courtesy of Lorna Gibson and Cambridge University Press.

- External work done $\propto F\delta$.
- Internal work bending edges $\propto \frac{F_e}{\delta_e} \delta_e^2 \propto \frac{E_s I}{l^3} \delta^2$
- Internal work stretching faces $\propto \sigma_f \epsilon_f v_f \propto E_s \epsilon_f^2 v_f \propto E_s \left(\frac{\delta}{l}\right)^2 t_f l^2$

$$\therefore F\delta = \alpha \frac{E_s t_e^4}{l^3} \delta^2 + \beta E_s \left(\frac{\delta}{l}\right)^2 t_f l^2$$

$$E^* \propto \frac{F}{l^2} \frac{l}{\delta} \rightarrow F \propto E^* \delta l$$

$$\therefore E^* \delta^2 l = \alpha \frac{E_s t_e^4}{l^3} \delta^2 + \beta E_s \left(\frac{\delta}{l}\right)^2 t_f l^2$$

$$E^* = \alpha E_s \left(\frac{t_e}{l}\right)^4 + \beta E_s \left(\frac{t_f}{l}\right)$$

Note: Open cells, uniform t :

$$\rho^*/\rho_s \propto (t/l)^2$$

Closed cells, uniform t :

$$\rho^*/\rho_s \propto (t/l)$$

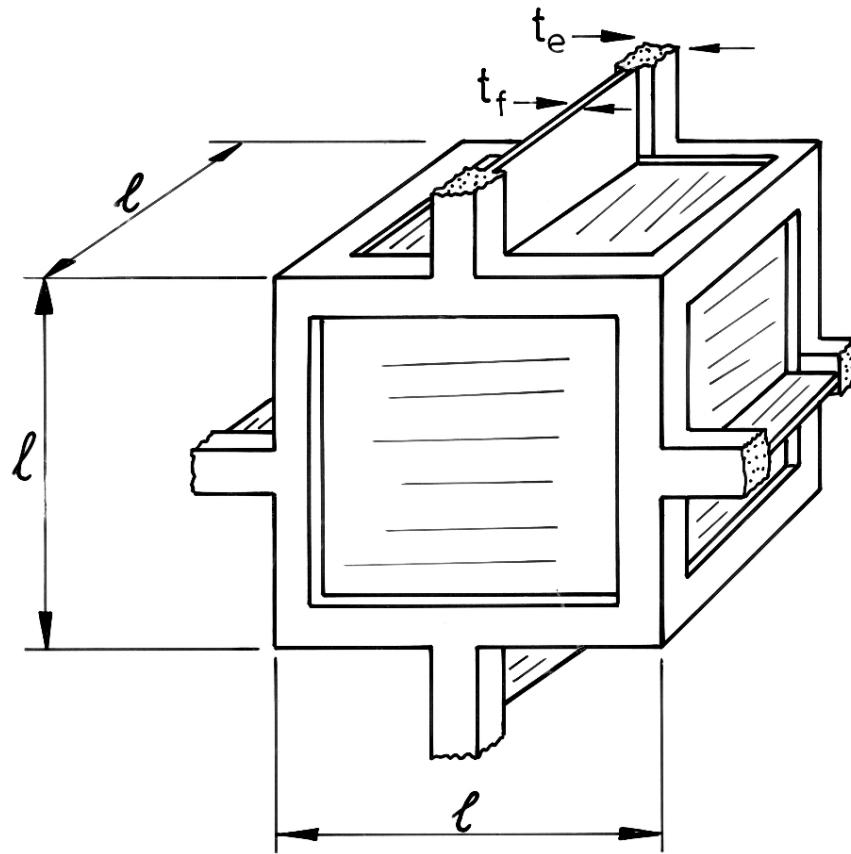
If ϕ is volume fraction of solid in cell edges:

$$t_e/l = C\phi^{1/2}(\rho^*/\rho_s)^{1/2}$$

$$t_f/l = C'(1 - \phi)(\rho^*/\rho_s)$$

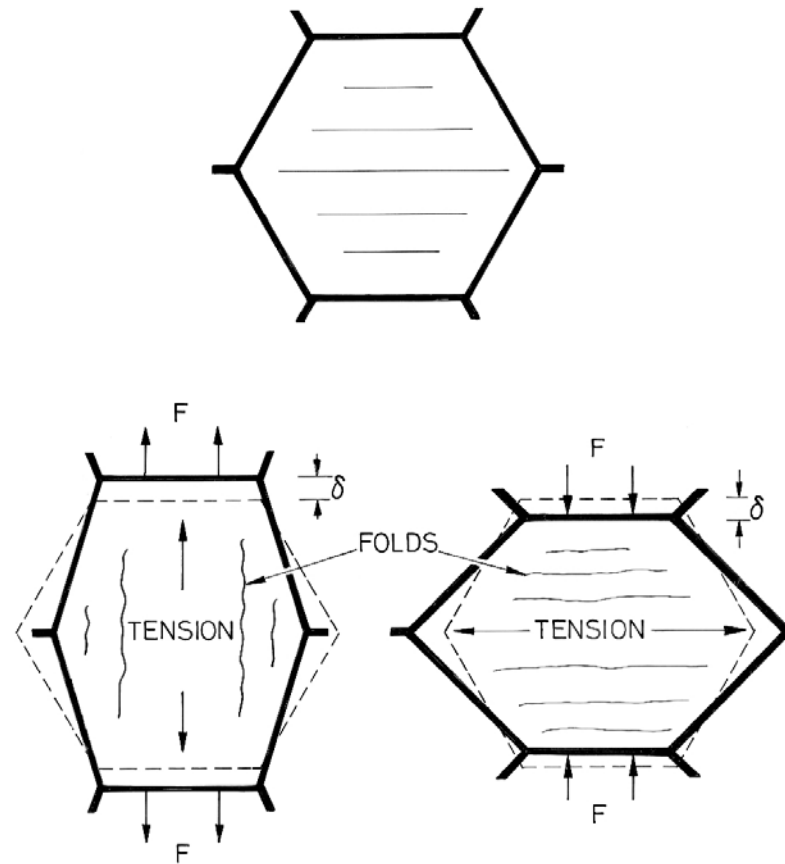
$$\boxed{\frac{E^*}{E_s} = C_1 \phi^2 \left(\rho^*/\rho_s\right)^2 + C'_1 (1 - \phi) \rho^*/\rho_s}$$

Closed-Cell Foam



Gibson, L. J., and M. F. Ashby. *Cellular Solids: Structure and Properties*. 2nd ed. Cambridge University Press, © 1997. Figure courtesy of Lorna Gibson and Cambridge University Press.

Cell Membrane Stretching



Gibson, L. J., and M. F. Ashby. *Cellular Solids: Structure and Properties*. 2nd ed. Cambridge University Press, © 1997. Figure courtesy of Lorna Gibson and Cambridge University Press.

Closed cell foams - gas within cell may also contribute to E^*

- Cubic element of foam of volume V_0
- Under uniaxial stress, axial strain in direction of stress is ϵ
- Deformed volume V is:

$$\frac{V}{V_0} = 1 - \epsilon(1 - 2\nu^*)$$

taking compressive strain as positive,
neglecting ϵ^2, ϵ^3 terms

$$\frac{V_g}{V_g^0} = \frac{1 - \epsilon(1 - 2\nu^*) - \rho^*/\rho_s}{1 - \rho^*/\rho_s}$$

V_g = volume gas

V_g^0 = volume gas initially

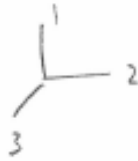
- Boyle's law: $pV_g = p_0V_g^0$

p = pressure after strain ϵ
 p_0 = pressure initially
- Pressure that must be overcome is $p' = p - p_0$:

$$p' = \frac{p_0 \epsilon (1 - 2\nu^*)}{1 - \epsilon (1 - 2\nu^*) - \rho^*/\rho_s}$$

- Contribution of gas compression to the modulus E^* :

$$E_g^* = \frac{dp'}{d\epsilon} = \frac{p_0(1 - 2\nu^*)}{1 - \rho^*/\rho_s}$$



$$V_0 = l_0^3 \quad \epsilon_1 = \frac{l_1 - l_0}{l_0} \quad \rightarrow \quad l_1 = l_0 + \epsilon_1 l_0 = l_0(1 + \epsilon_1)$$

$$V = l_1 l_2 l_3 \quad \epsilon_2 = \frac{l_2 - l_0}{l_0} \quad \rightarrow \quad \begin{aligned} l_2 &= l_0 + \epsilon_2 l_0 & \nu &= -\frac{\epsilon_2}{\epsilon_1} \\ &= l_0 - \nu \epsilon_1 l_0 & \epsilon_2 &= -\nu \epsilon_1 \\ &= l_0(1 - \nu \epsilon_1) \end{aligned}$$

$$\epsilon_3 = l_0(1 - \nu \epsilon_1)$$

$$\begin{aligned} V &= l_1 l_2 l_3 = l_0(1 + \epsilon_1) l_0(1 - \nu \epsilon_1) l_0(1 - \nu \epsilon_1) = l_0^3 (1 + \epsilon_1)(1 - \nu \epsilon_1)^2 \\ \frac{V}{V_0} &= \frac{l_0^3 (1 + \epsilon_1)(1 - \nu \epsilon_1)^2}{l_0^3} = (1 + \epsilon_1)(1 - 2\nu \epsilon_1 + \nu^2 \epsilon_1^2) \\ &= (1 - 2\nu \epsilon_1 + \nu^2 \epsilon_1^2) + \epsilon_1 - 2\nu \epsilon_1^2 + \nu^2 \epsilon_1^3 \\ &= 1 - \epsilon_1 + 2\nu \epsilon_1 \\ &= 1 - \epsilon_1(1 - 2\nu) \end{aligned}$$

$$p' = p - p_0$$

$$p = \frac{p_0 V_g'}{V_g}$$

$$p' = p - p_0 = \frac{p_0 V_g'}{V_g} - p_0 = p_0 \left(\frac{V_g'}{V_g} - 1 \right)$$

$$= p_0 \left[\frac{1 - \rho^*/\rho_s}{1 - \epsilon(1 - 2\nu^*) - \rho^*/\rho_s} - 1 \right]$$

$$= p_0 \left[\frac{1 - \rho^*/\rho_s(1 - \epsilon(1 - 2\nu^*) - \rho^*/\rho_s)}{1 - \epsilon(1 - 2\nu^*) - \rho^*/\rho_s} \right]$$

$$= p_0 \left[\frac{\epsilon(1 - 2\nu^*)}{1 - \epsilon(1 - 2\nu^*) - \rho^*/\rho_s} \right]$$

Closed cell foam

$$\frac{E^*}{E_s} = \underbrace{\phi^2 \left(\frac{\rho^*}{\rho_s} \right)^2}_{\text{edge bending}} + \underbrace{(1 - \phi) \left(\frac{\rho^*}{\rho_s} \right)}_{\text{face stretching}} + \underbrace{\frac{p_0(1 - 2\nu^*)}{E_s(1 - \rho^*/\rho_s)}}_{\text{gas compression}}$$

- Note: if $p_0 = p_{\text{atm}} = 0.1$ MPa, gas compression term is negligible, except for closed-cell elastomeric foams
- Gas compression can be significant if $p_0 \gg p_{\text{atm}}$; also modifies shape of stress plateau in elastomeric closed-cell foams

Shear modulus: edge bending, face stretching; shear $\Delta V = 0$ gas contribution is 0

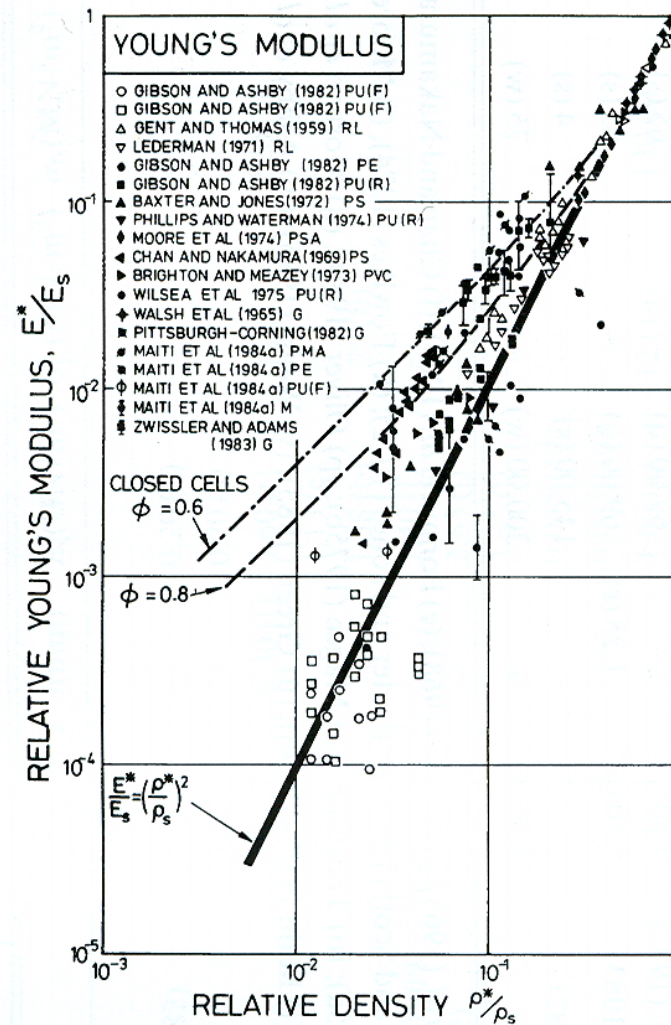
$$\frac{\epsilon^*}{E_s} = \frac{3}{8} \left[\phi^2 \left(\frac{\rho^*}{\rho_s} \right)^2 + (1 - \phi) \left(\frac{\rho^*}{\rho_s} \right) \right] \quad (\text{isotropic foam})$$

Poison's ratio = f (cell geometry only) $\nu^* \approx 1/3$

Comparison with data

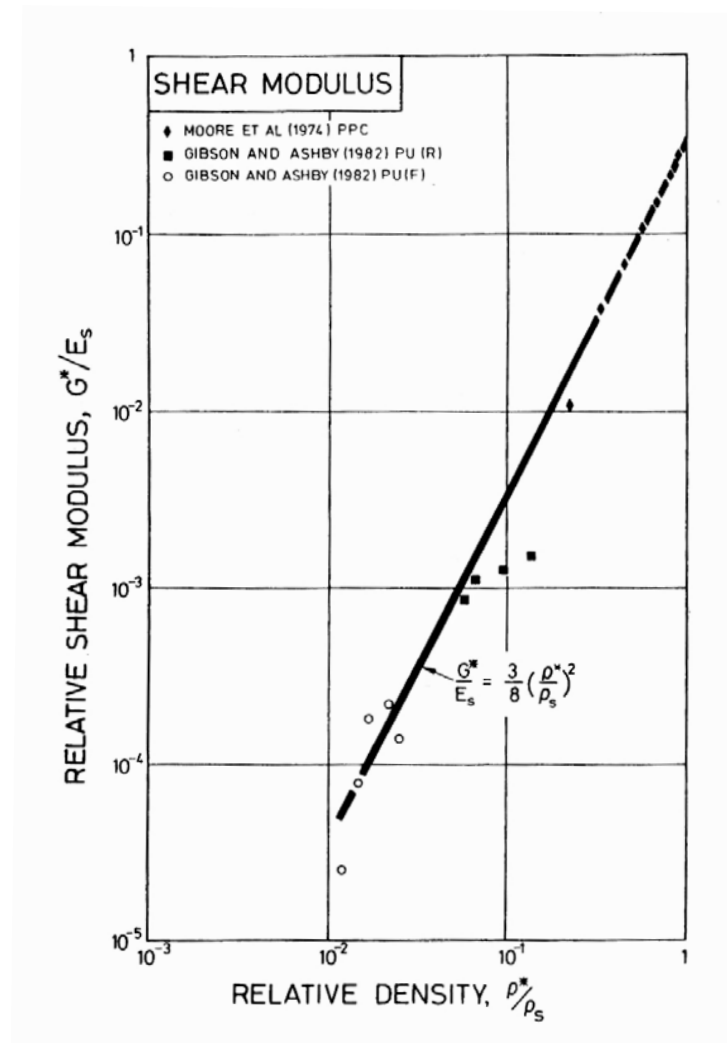
- Data for polymers, glasses, elastomers
- E_s, ρ_s - Table 5.1 in the book
- Open cells — open symbols
- Closed cells — filled symbols

Young's Modulus



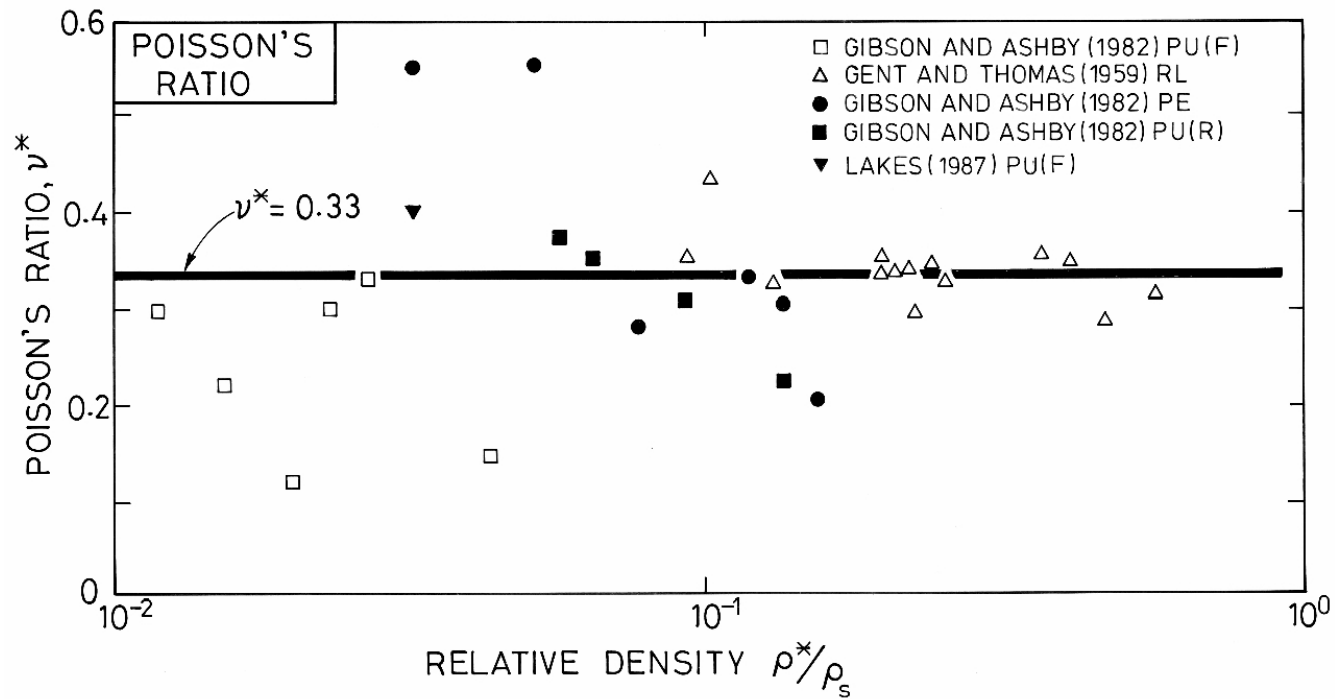
Gibson, L. J., and M. F. Ashby. *Cellular Solids: Structure and Properties*. 2nd ed. Cambridge University Press, © 1997. Figure courtesy of Lorna Gibson and Cambridge University Press.

Shear Modulus



Gibson, L. J., and M. F. Ashby. *Cellular Solids: Structure and Properties*. 2nd ed. Cambridge University Press, © 1997. Figure courtesy of Lorna Gibson and Cambridge University Press.

Poisson's Ratio



Gibson, L. J., and M. F. Ashby. *Cellular Solids: Structure and Properties*. 2nd ed. Cambridge University Press, © 1997. Figure courtesy of Lorna Gibson and Cambridge University Press.

Non-linear elasticity

Open cells:

$$P_{\text{cr}} = \frac{n^2 \pi^2 E_s I}{l^2}$$

$$\sigma_{\text{ei}}^* \propto \frac{P_{\text{cr}}}{l^2} \propto E_s \left(\frac{t}{l}\right)^4$$

$$\sigma_{\text{el}}^* = C_4 E_s \left(\frac{\rho^*}{\rho_s}\right)^2$$

Data: $C_4 \approx 0.05$, corresponds to strain when buckling initiates, since
 $E^* = E_s \left(\frac{\rho^*}{\rho_s}\right)^2$

Closed cells:

- t_f often small compared to t_e (surface tension in processing) - contribution small
- If $p_0 \gg p_{\text{atm}}$, cell walls pre-tensioned, bucking stress has to overcome this

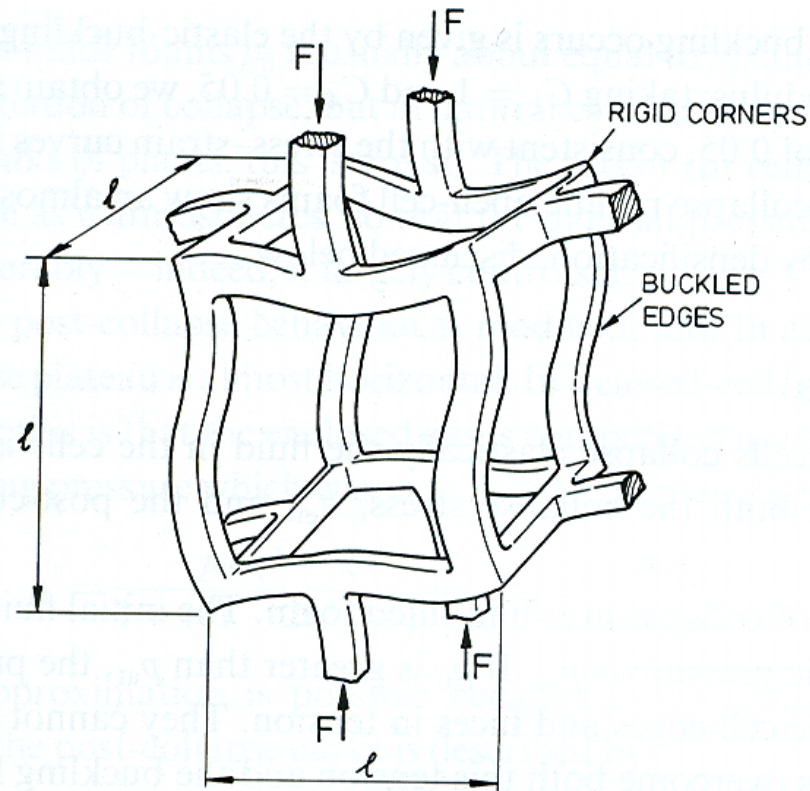
$$\sigma_{\text{el}}^* = 0.05 E_s \left(\frac{\rho^*}{\rho_s}\right)^2 + p_0 - p_{\text{atm}}$$

- Post-collapse behavior - stress plateau rises due to gas compression (if faces don't rupture) $\nu^* = 0$ in post-collapse regime

$$p' = \frac{p_0 \epsilon (1 - 2\nu^*)}{1 - \epsilon(1 - 2\nu^*) - \rho^*/\rho_s} = \frac{p_0 \epsilon}{1 - \epsilon - \rho^*/\rho_s}$$

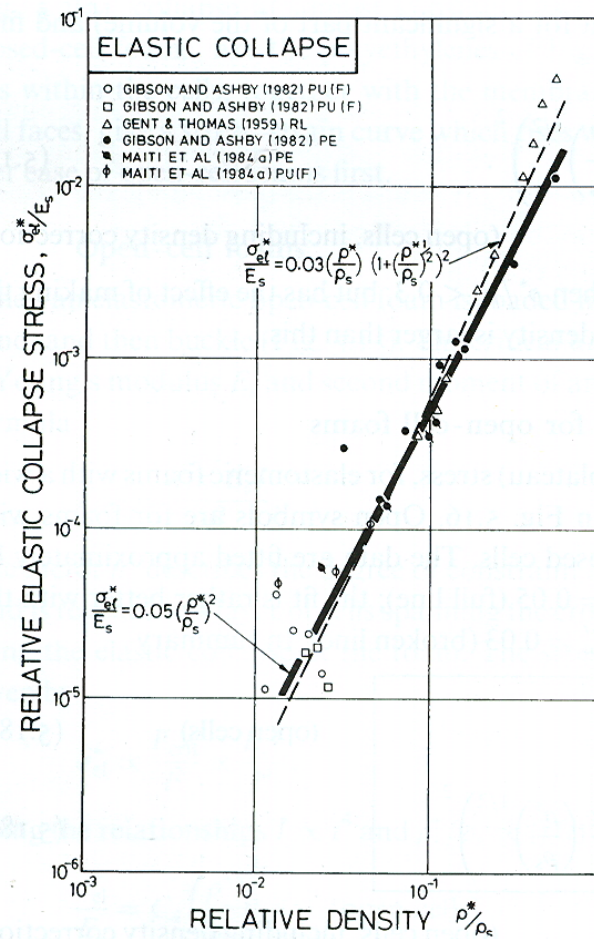
$$\sigma_{\text{post-collapse}}^* = 0.05 E_s \left(\frac{\rho^*}{\rho_s}\right)^2 + \frac{p_0 \epsilon}{1 - \epsilon - \rho^*/\rho_s}$$

Elastic Collapse Stress



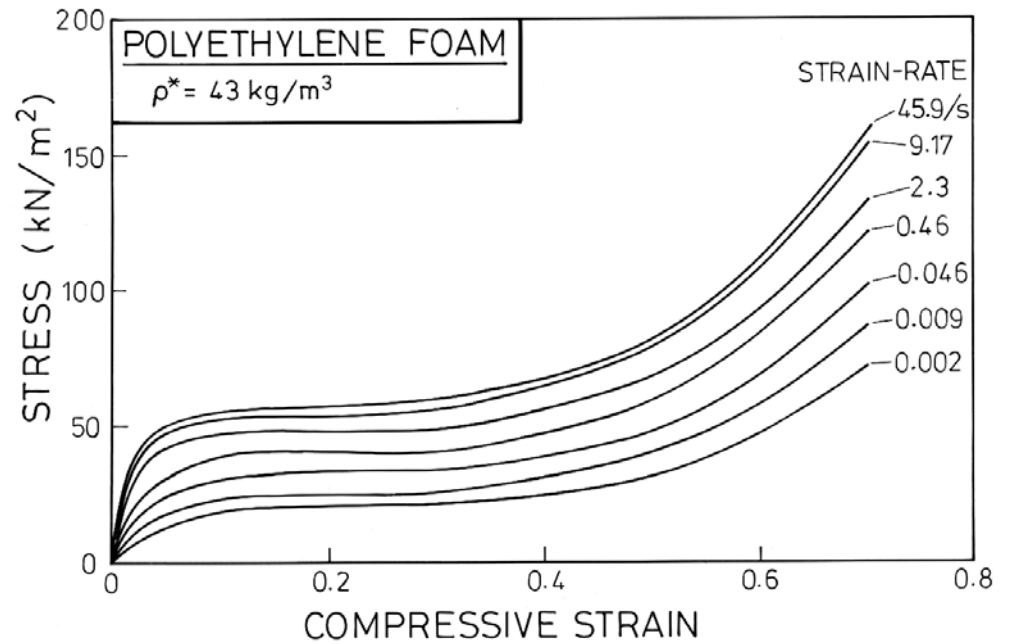
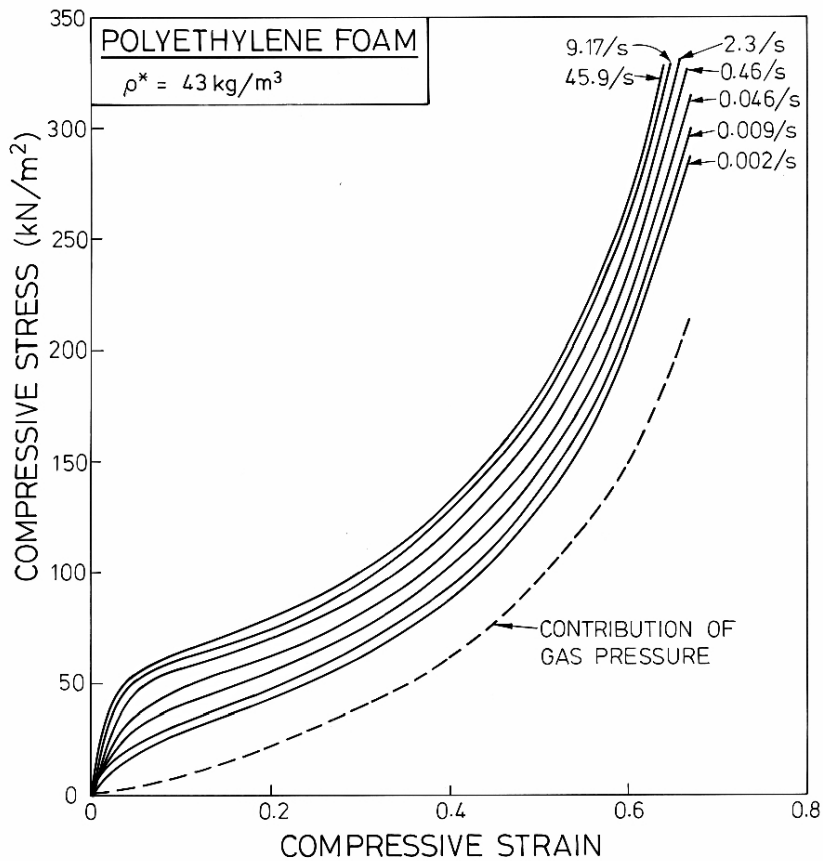
Gibson, L. J., and M. F. Ashby. *Cellular Solids: Structure and Properties*. 2nd ed. Cambridge University Press, © 1997. Figure courtesy of Lorna Gibson and Cambridge University Press.

Elastic Collapse Stress



Gibson, L. J., and M. F. Ashby. *Cellular Solids: Structure and Properties*. 2nd ed. Cambridge University Press, © 1997. Figure courtesy of Lorna Gibson and Cambridge University Press.

Post-collapse stress strain curve



Gibson, L. J., and M. F. Ashby. *Cellular Solids: Structure and Properties*. 2nd ed. Cambridge University Press, © 1997. Figure courtesy of Lorna Gibson and Cambridge University Press.

Plastic collapse

Open cells:

- Failure when $M = M_p$
- $M_p \propto \sigma_{ys} t^3$ $M \propto \sigma_{pl}^* l^3$
 $\boxed{\sigma_{pl}^* = C_5 \sigma_{ys} (\rho^*/\rho_s)^{3/2}}$ $C_5 \sim 0.3$ from data.
- Elastic collapse precedes plastic collapse if $\sigma_{el}^* < \sigma_{pl}^*$
- $0.05 E_s (\rho^*/\rho_s)^2 \leq 0.3 \sigma_{ys} (\rho^*/\rho_s)^{3/2}$ rigid polymers $(\rho^*/\rho_s)_{cr} < 0.04 \left(\frac{\sigma_{ys}}{E_s} \sim \frac{1}{30} \right)$
 $(\rho/\rho_s)_{critical} \leq 36 (\sigma_{ys}/E_s)^2$ metals $(\rho^*/\rho_s)_{cr} < 10^{-5} \left(\frac{\sigma_{ys}}{E_s} \sim \frac{1}{1000} \right)$

Closed cells:

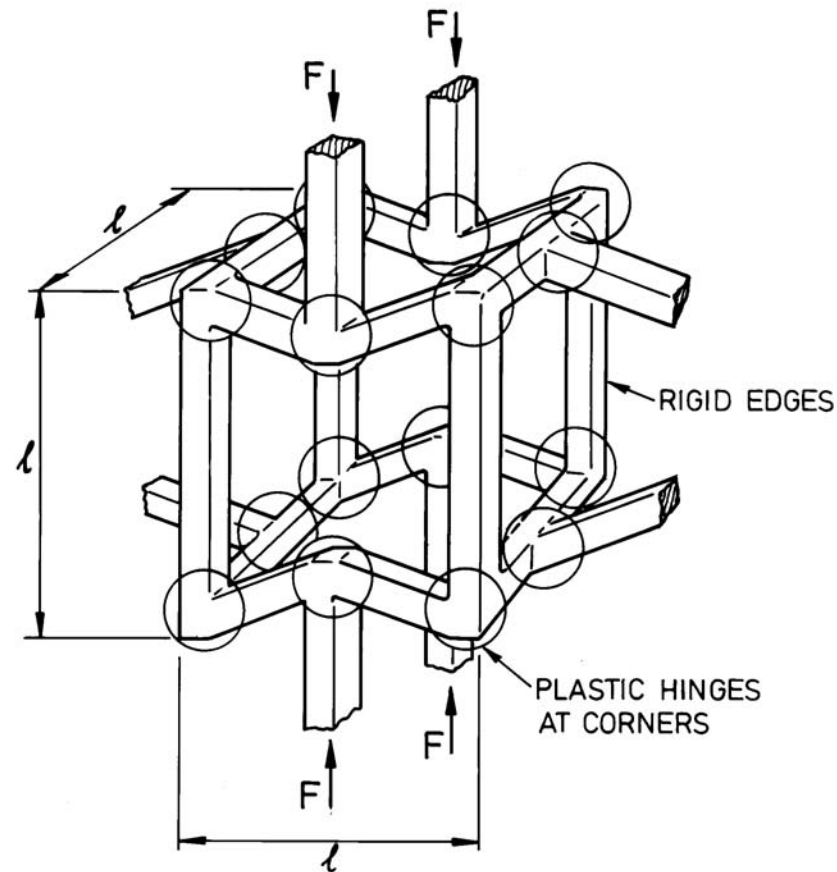
- Including all terms: $\sigma_{pl}^* = C_5 \sigma_{ys} \left(\phi \frac{\rho^*}{\rho_s} \right)^{3/2} + C'_5 \sigma_{ys} (1 - \phi) \left(\frac{\rho^*}{\rho_s} \right) + p_0 - p_{atm}$

\uparrow
edge bending

\uparrow
face stretching

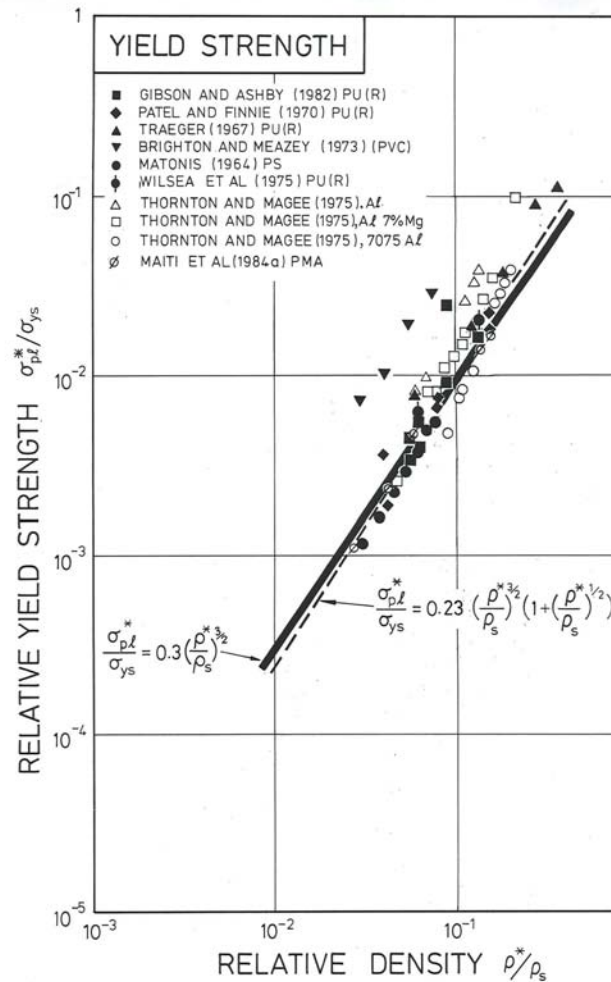
\uparrow
gas
- But in practice, faces often rupture around σ_{pl}^* - often $\sigma_{pl}^* = 0.3 (\rho^*/\rho_s)^{3/2} \sigma_{ys}$

Plastic Collapse Stress



Gibson, L. J., and M. F. Ashby. *Cellular Solids: Structure and Properties*. 2nd ed. Cambridge University Press, © 1997. Figure courtesy of Lorna Gibson and Cambridge University Press.

Plastic Collapse Stress



Gibson, L. J., and M. F. Ashby. *Cellular Solids: Structure and Properties*. 2nd ed. Cambridge University Press, © 1997. Figure courtesy of Lorna Gibson and Cambridge University Press.

Brittle crushing strength

Open cells:

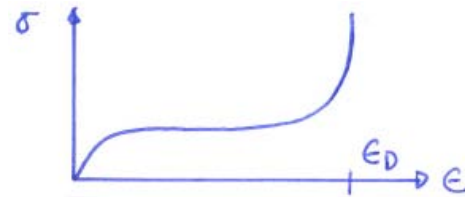
- Failure when $M = M_f$ $M \propto \sigma_{cr}^* l^2$ $M_f \propto \sigma_{fs} t^3$

$$\boxed{\sigma_{cr} = C_6 \sigma_{fs} (\rho^*/\rho_s)^{3/2}} \quad C_6 \approx 0.2$$

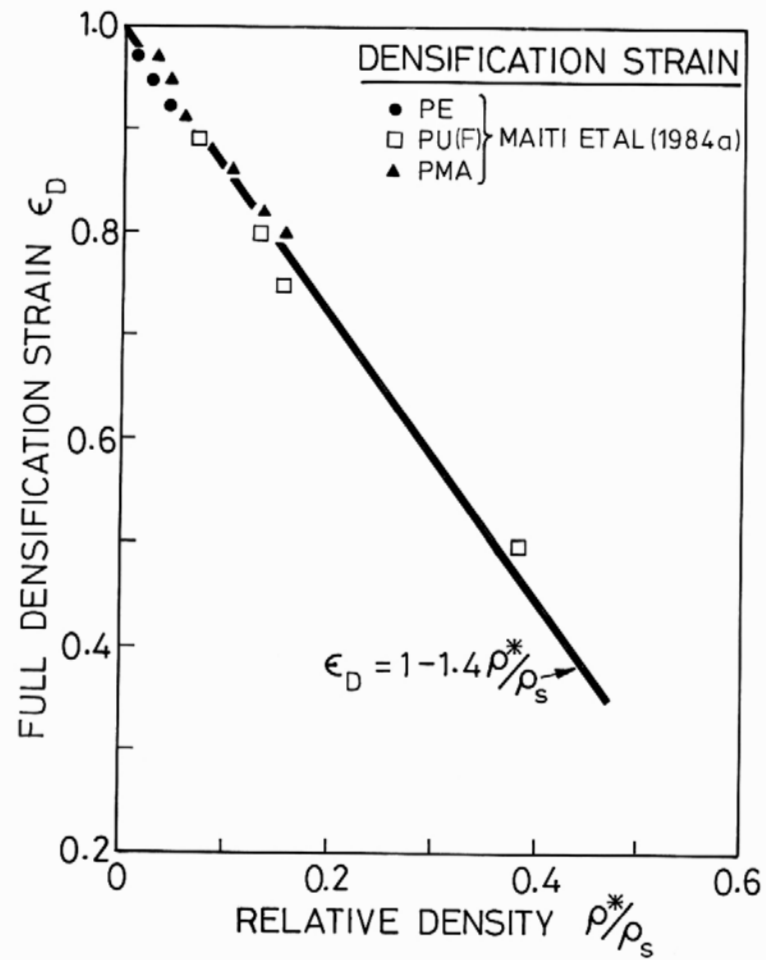
Densification strain, ϵ_D :

- At large comp. strain, cell walls begin to touch, $\sigma - \epsilon$ rises steeply
- $E^* \rightarrow E_s$; $\sigma - \epsilon$ curve looks vertical, at limiting strain
- Might expect $\epsilon_D = 1 - \rho^*/\rho_s$
- Walls jam together at slightly smaller strain than this:

$$\boxed{\epsilon_D = 1 - 1.4 \rho^*/\rho_s}$$



Densification Strain



Gibson, L. J., and M. F. Ashby. *Cellular Solids: Structure and Properties*. 2nd ed. Cambridge University Press, © 1997. Figure courtesy of Lorna Gibson and Cambridge University Press.

Fracture toughness

Open cells: crack length $2a$, local stress σ_l , remote stress σ^∞

$$\sigma_l = \frac{C\sigma^\infty\sqrt{\pi a}}{\sqrt{2\pi r}} \quad \text{a distance } r \text{ from crack tip}$$

- Next unbroken cell wall a distance $r \approx l/2$, a head of crack tip subject to a force (integrating stress over next cell)

$$F \propto \sigma_l l^2 \propto \sigma^\infty \sqrt{\frac{a}{l}} l^2$$

- Edges fail when applied moment, $M =$ fracture moment, M_f

$$M_f = \sigma_{fs} t^3$$

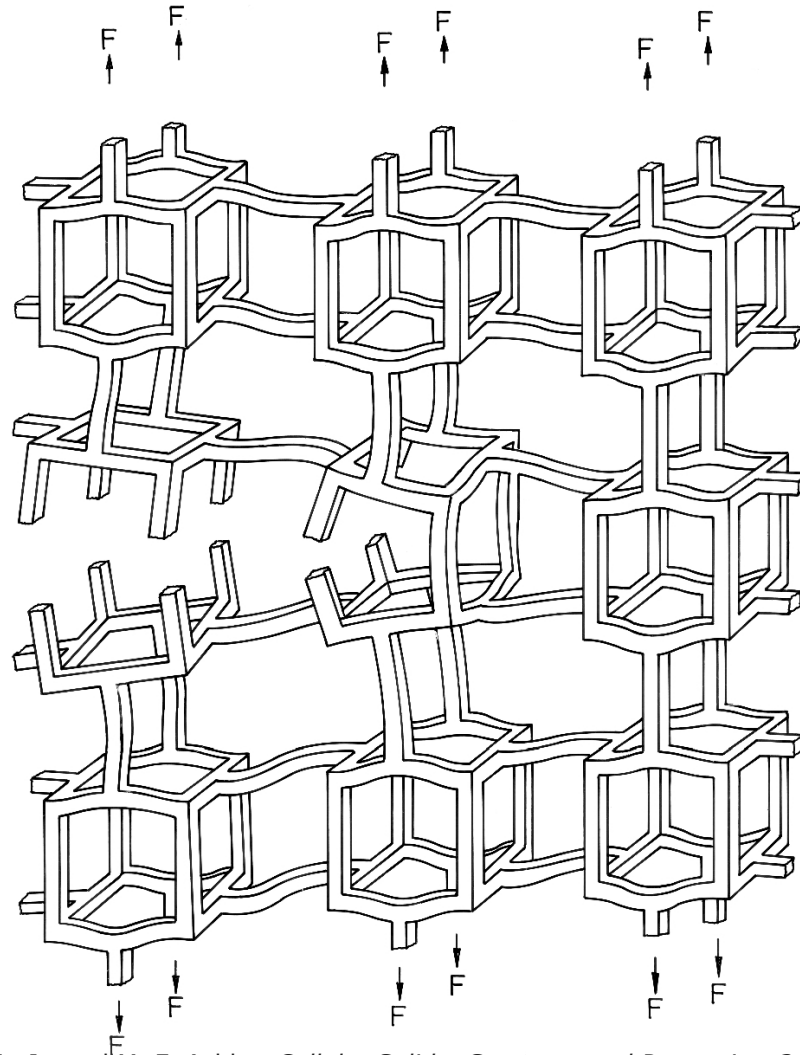
$$M \propto F l \propto \sigma^\infty \left(\frac{a}{l}\right)^{1/2} l^3 \quad M = M_f \quad \rightarrow \quad \sigma^\infty \left(\frac{a}{l}\right)^{1/2} l^3 \propto \sigma_{fs} t^3$$

$$\sigma^\infty \propto \sigma_{fs} \left(\frac{l}{a}\right)^{1/2} \left(\frac{t}{l}\right)^3$$

$$K_{IC}^* = \sigma^\infty \sqrt{\pi a} = C_8 \sigma_{fs} \sqrt{\pi l} (\rho^*/\rho_s)^{3/2}$$

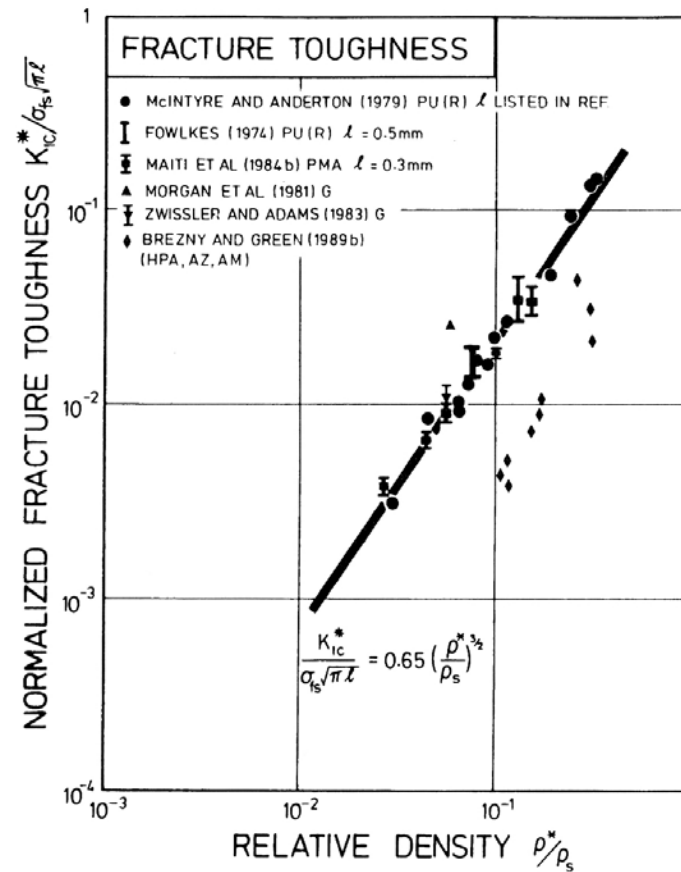
Data: $C_8 \sim 0.65$

Fracture Toughness



Gibson, L. J., and M. F. Ashby. *Cellular Solids: Structure and Properties*. 2nd ed. Cambridge University Press, © 1997. Figure courtesy of Lorna Gibson and Cambridge University Press.

Fracture Toughness



Gibson, L. J., and M. F. Ashby. *Cellular Solids: Structure and Properties*. 2nd ed. Cambridge University Press, © 1997. Figure courtesy of Lorna Gibson and Cambridge University Press.

MIT OpenCourseWare
<http://ocw.mit.edu>

3.054 / 3.36 Cellular Solids: Structure, Properties and Applications
Spring 2015

For information about citing these materials or our Terms of Use, visit: <http://ocw.mit.edu/terms>.