

4.511  
*Massachusetts Institute of Technology*

February 15, 2004

This assignment will be presented in class on Wednesday February 15 @2PM

**Digital Mockup**



Now that you have analyzed the building of your choice on paper select an area of the tower to analyze in detail as a  $\frac{1}{2}'' = 1'$  digital mockup. Use simple materials to represent the existing design demonstrating floor plates, curtain wall and its connection back the floor slabs.

### **Fabrication: Building Section**

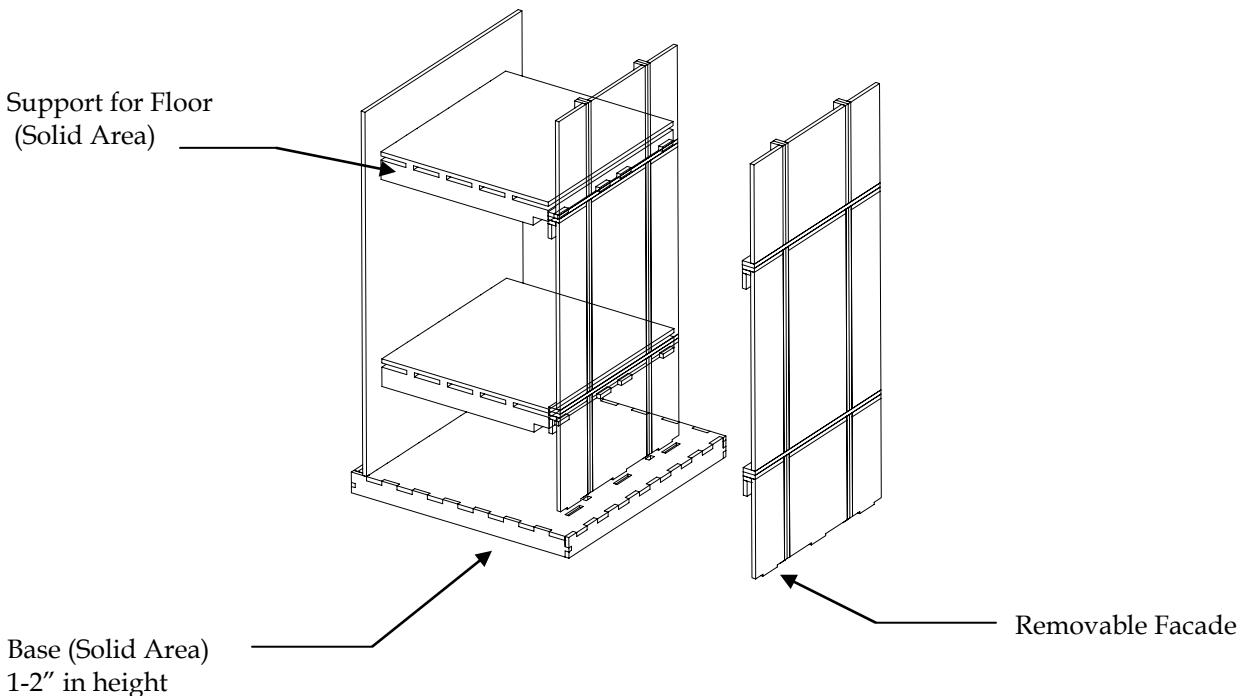
Using laser cutting and or 3D printing (in small areas) build a 10" square section (Mockup) of the building at a scale of  $\frac{1}{2}" = 1'-0"$ . The mockup must include the following:

- Two floors plates
- Scaled Figures in positions appropriate for an office space (poser figure sitting at a computer or in a meeting)
- Curtain wall
- Based and Structure

Fabricate the mockup of CARDBOARD if possible, it is best not to use expensive materials this model is a rough sketch. If possible include structure and detailing on flooring or wall systems carefully describe the architect's design and construction intent through the model.

### **Assemblies: Removable Curtain Wall**

Design a functional model, one that will allow for the interchange of facades. Consider that the base areas will be the parts that are reused and the façade will change over the next three weeks.



**Present: Power-point Slides**

Power point in class and Post power point on the MIT Server