

6.002

CIRCUITS AND
ELECTRONICS

Superposition, Thévenin and Norton

Cite as: Anant Agarwal and Jeffrey Lang, course materials for 6.002 Circuits and Electronics, Spring 2007. MIT OpenCourseWare (<http://ocw.mit.edu/>), Massachusetts Institute of Technology. Downloaded on [DD Month YYYY].

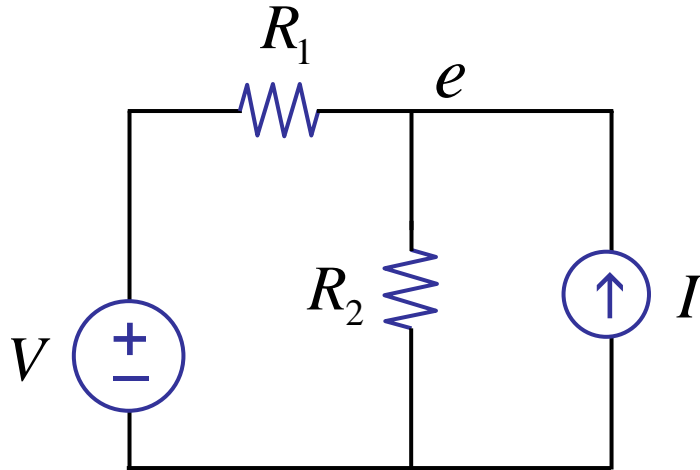
Review

Circuit Analysis Methods

- KVL: $\sum_{loop} V_i = 0$
- KCL: $\sum_{node} I_i = 0$
- VI
- Circuit composition rules
- Node method - **the workhorse of 6.002**
KCL at nodes using V 's referenced from ground
(KVL implicit in " $(e_i - e_j) G$ ")

Linearity

Consider



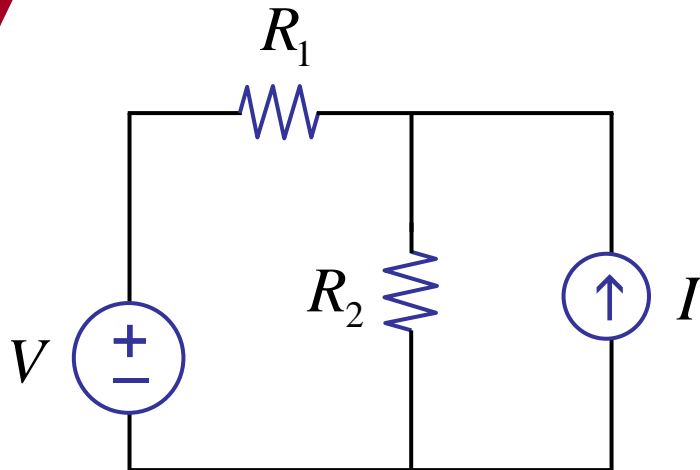
Write node equations -

$$\frac{e-V}{R_1} + \frac{e}{R_2} - I = 0$$

Notice:
linear in e, V, I
No eV, VI
terms

Linearity

Consider



Write node equations --

$$\frac{e-V}{R_1} + \frac{e}{R_2} - I = 0 \quad \text{linear in } e, V, I$$

Rearrange --

$$\left[\frac{1}{R_1} + \frac{1}{R_2} \right] e = \frac{V}{R_1} + I$$

conductance
matrix

G

node
voltages

$e = S$

linear sum
of sources

Linearity

Write node equations --

$$\frac{e-V}{R_1} + \frac{e}{R_2} - I = 0 \quad \text{linear in } e, V, I$$

Rearrange --

$$\left[\frac{1}{R_1} + \frac{1}{R_2} \right] e = \frac{V}{R_1} + I$$

conductance
matrix

node
voltages

linear sum
of sources

$$G e = S$$

or

$$e = \frac{R_2}{R_1 + R_2} V + \frac{R_1 R_2}{R_1 + R_2} I$$

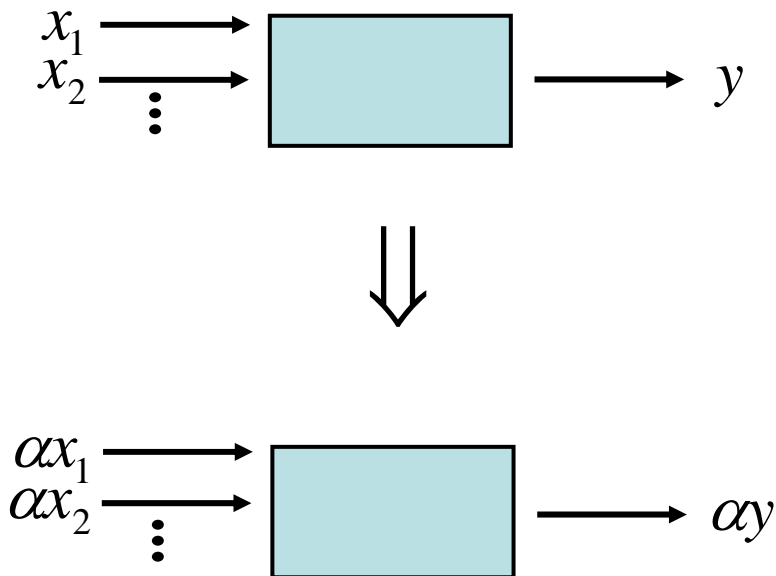
$$e = a_1 V_1 + a_2 V_2 + \dots + b_1 I_1 + b_2 I_2 + \dots$$

Linear!

Linearity \Rightarrow Homogeneity
Superposition

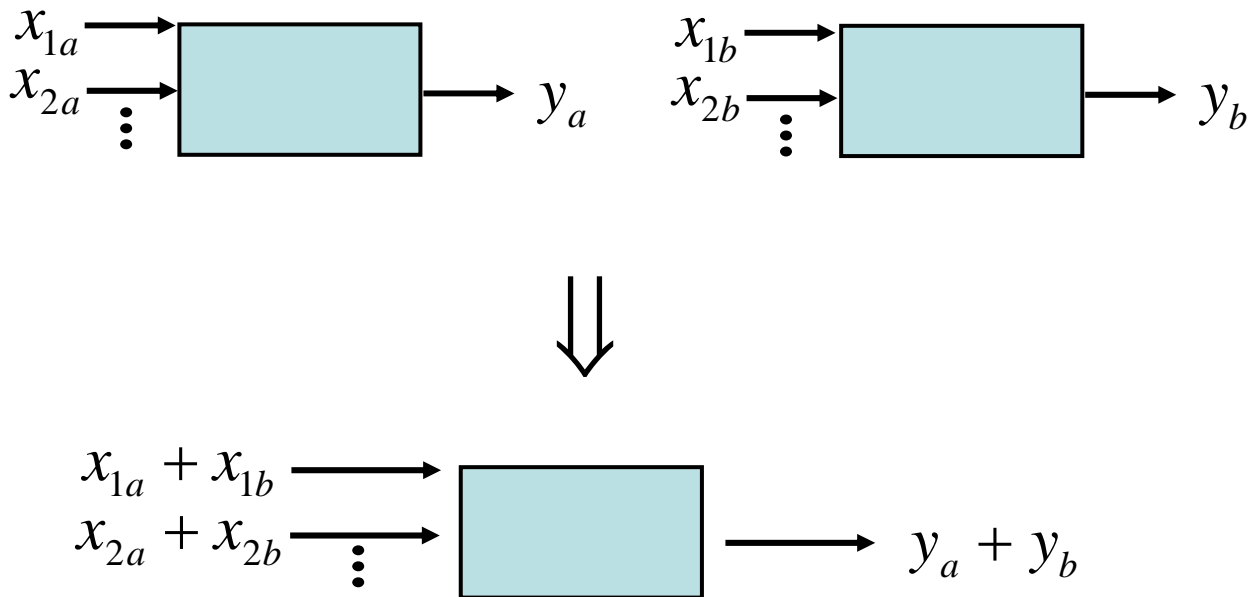
Linearity \Rightarrow Homogeneity
Superposition

Homogeneity



Linearity \Rightarrow Homogeneity
Superposition

Superposition



Linearity \Rightarrow Homogeneity
Superposition

Specific superposition example:

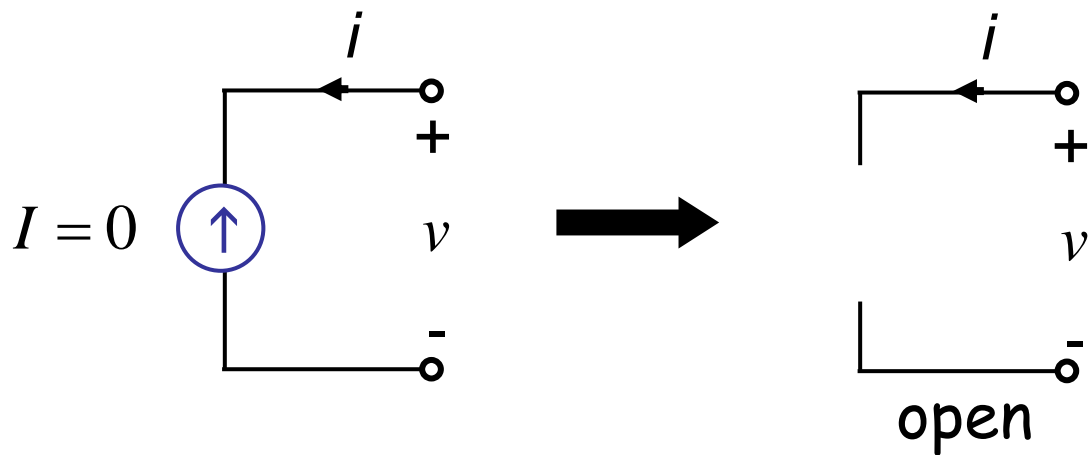
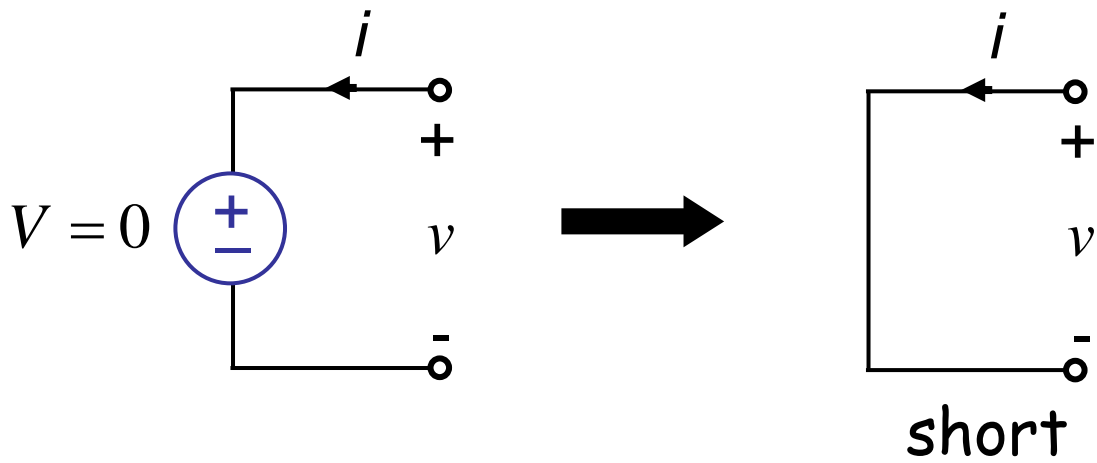


Method 4: Superposition method

The output of a circuit is determined by summing the responses to each source acting alone.

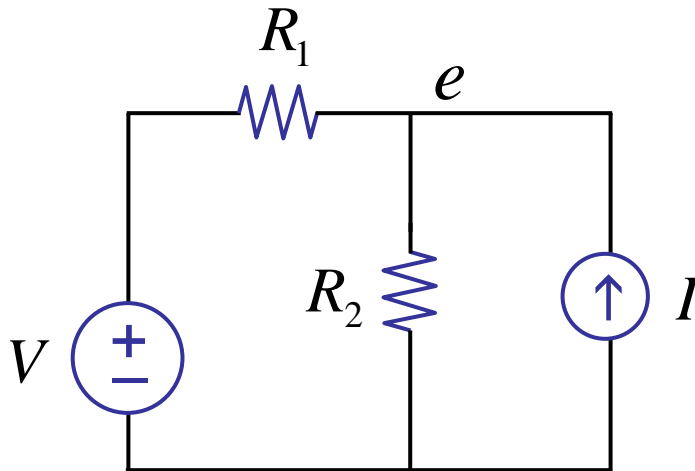


independent sources
only



Back to the example

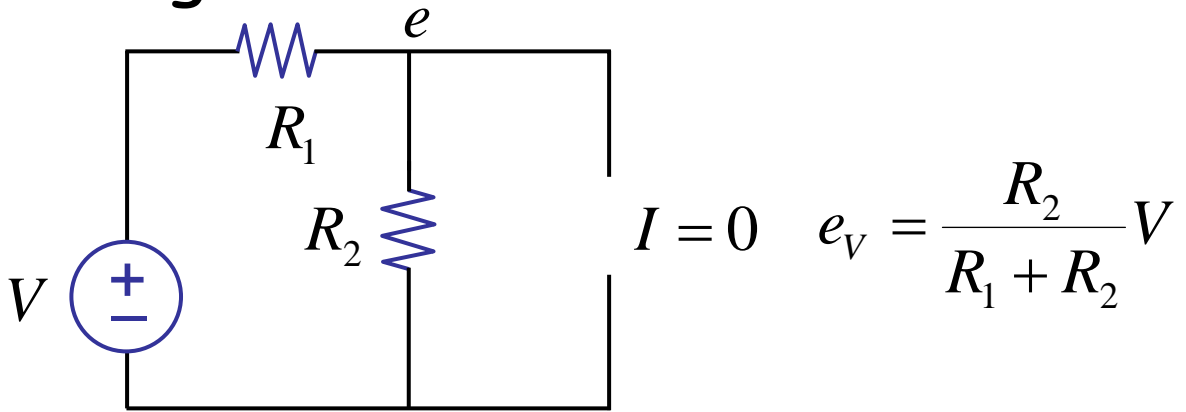
Use superposition method



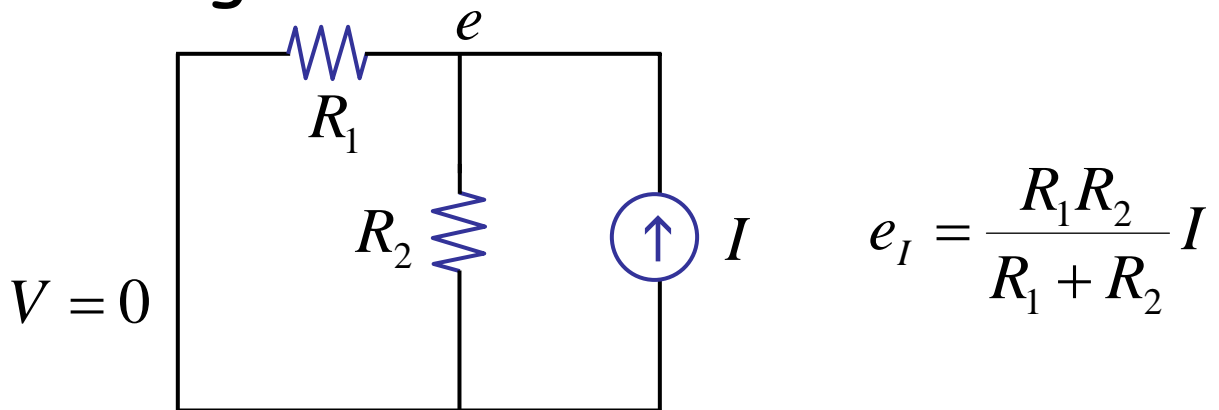
Back to the example

Use superposition method

V acting alone



I acting alone

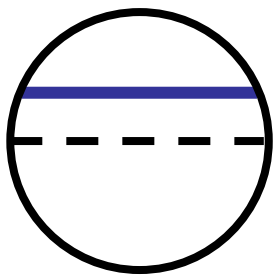


sum \longrightarrow superposition

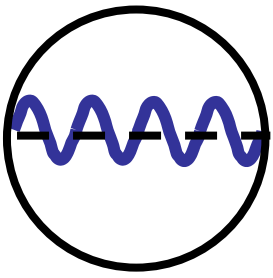
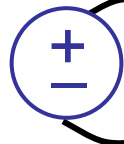
$$e = e_V + e_I = \frac{R_2}{R_1 + R_2} V + \frac{R_1 R_2}{R_1 + R_2} I$$

Voilà!

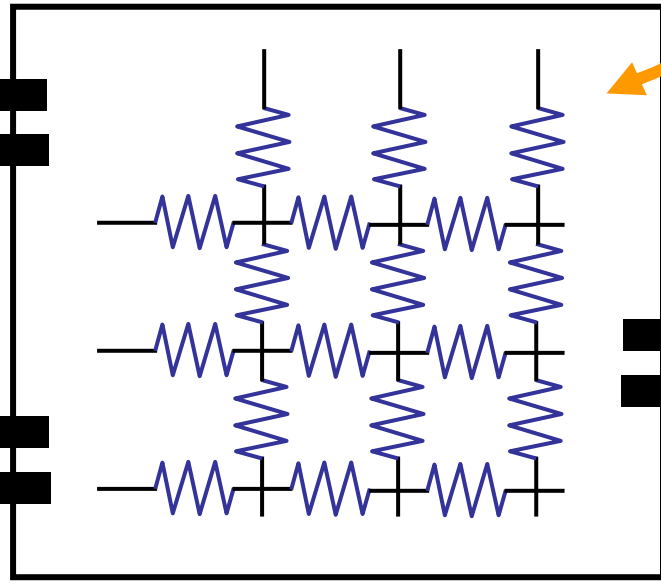
Demo



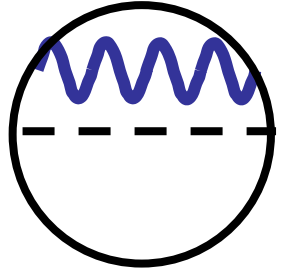
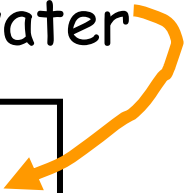
constant



sinusoid



salt water

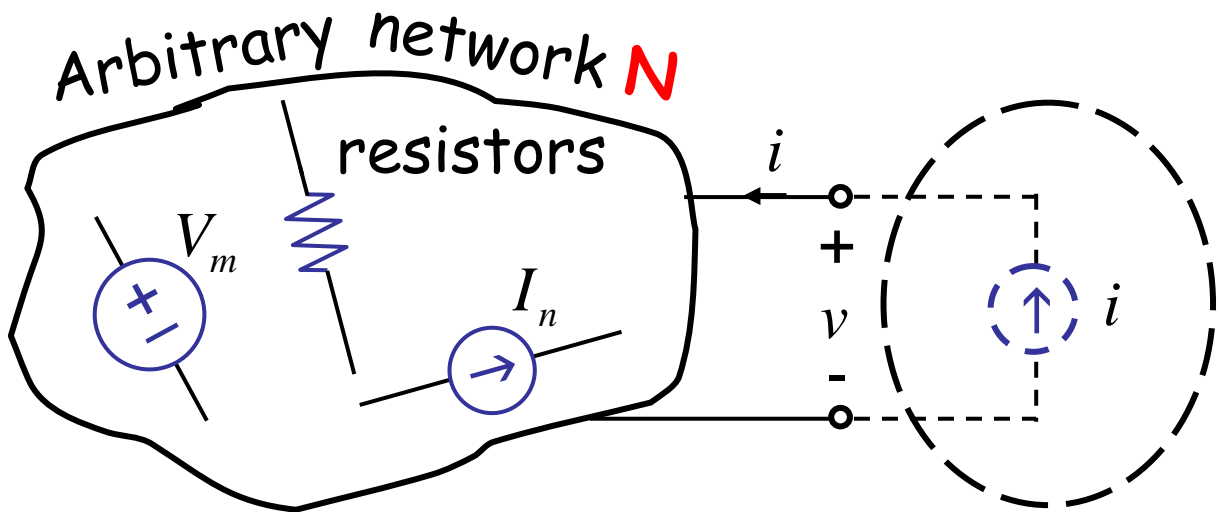


output shows superposition

Cite as: Anant Agarwal and Jeffrey Lang, course materials for 6.002 Circuits and Electronics, Spring 2007. MIT OpenCourseWare (<http://ocw.mit.edu/>), Massachusetts Institute of Technology. Downloaded on [DD Month YYYY].

Yet another method...

Consider



By superposition

$$v = \sum_m \alpha_m V_m + \sum_n \beta_n I_n + Ri$$

no
units

resistance
units

also
independent
of external
excitement &
behaves like
a resistor

By setting

All

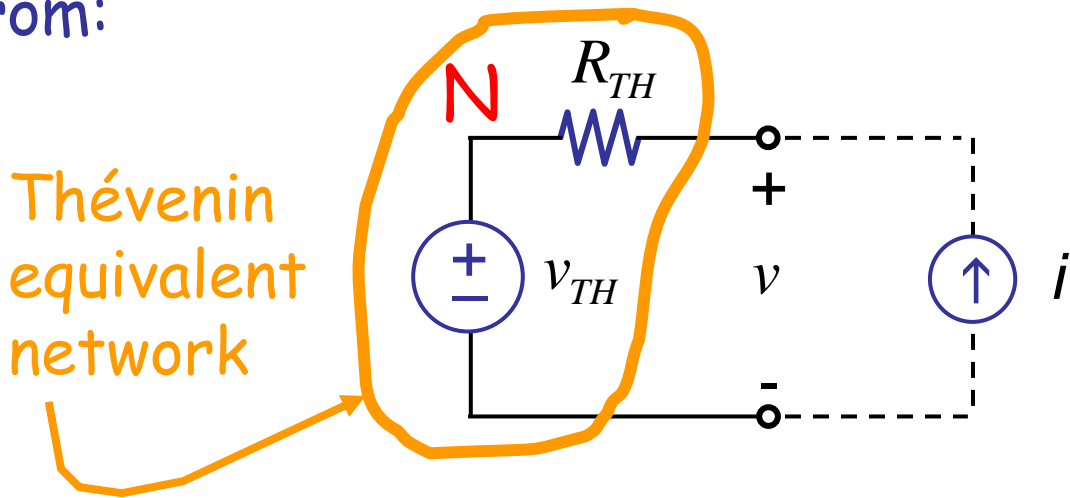
$$\left. \begin{array}{l} \forall_n I_n = 0, \\ i = 0 \end{array} \right\} \quad \left. \begin{array}{l} \forall_m V_m = 0, \\ i = 0 \end{array} \right\} \quad \left. \begin{array}{l} \forall_n I_n = 0, \\ \forall_m V_m = 0 \end{array} \right\}$$

independent of external
excitation and behaves like a
voltage " V_{TH} "

Or

$$v = v_{TH} + R_{TH}i$$

As far as the external world is concerned
(for the purpose of I-V relation),
"Arbitrary network **N**" is indistinguishable
from:

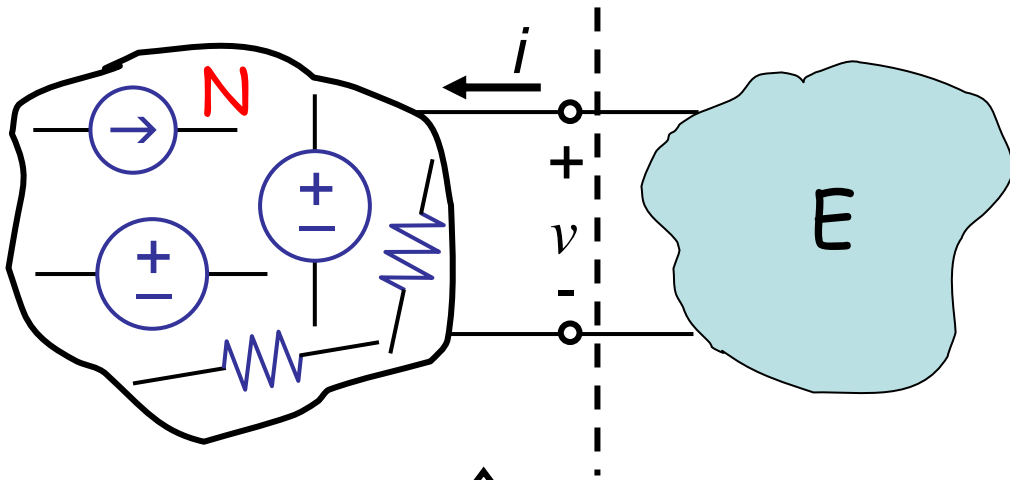


v_{TH} → open circuit voltage
at terminal pair (a.k.a. port)

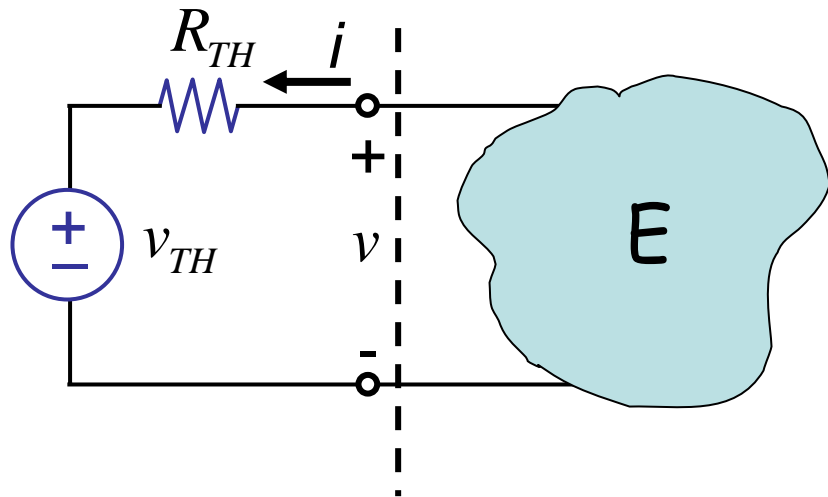
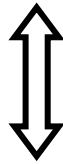
R_{TH} → resistance of network seen
from port
(V_m 's, I_n 's set to 0)

Method 4:

The Thévenin Method

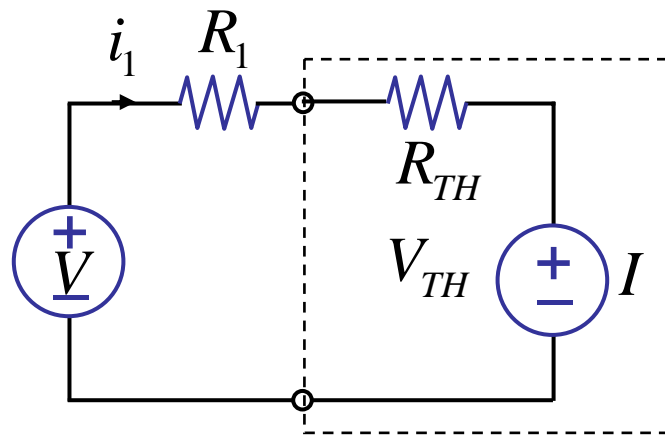
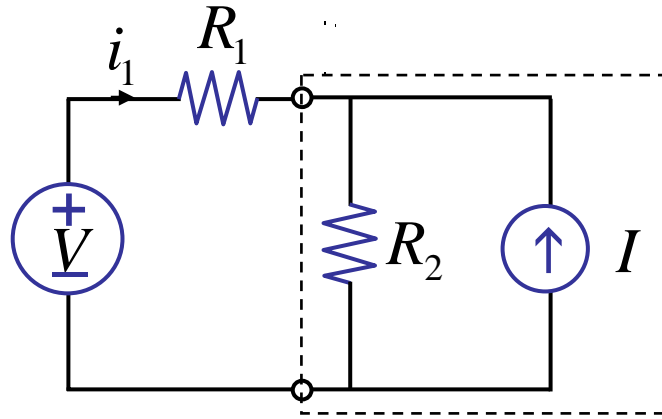


Thévenin equivalent



Replace network N with its Thévenin equivalent, then solve external network E .

Example:

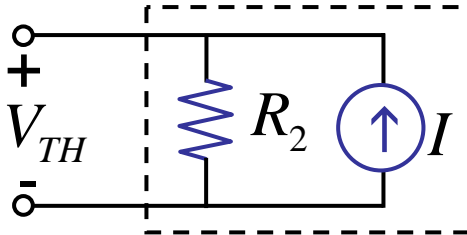


$$i_1 = \frac{V - V_{TH}}{R_1 + R_{TH}}$$

Example:

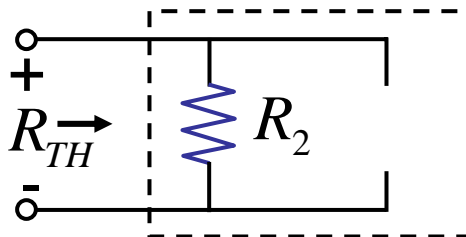
$$V_{TH} :$$

$$V_{TH} = IR_2$$

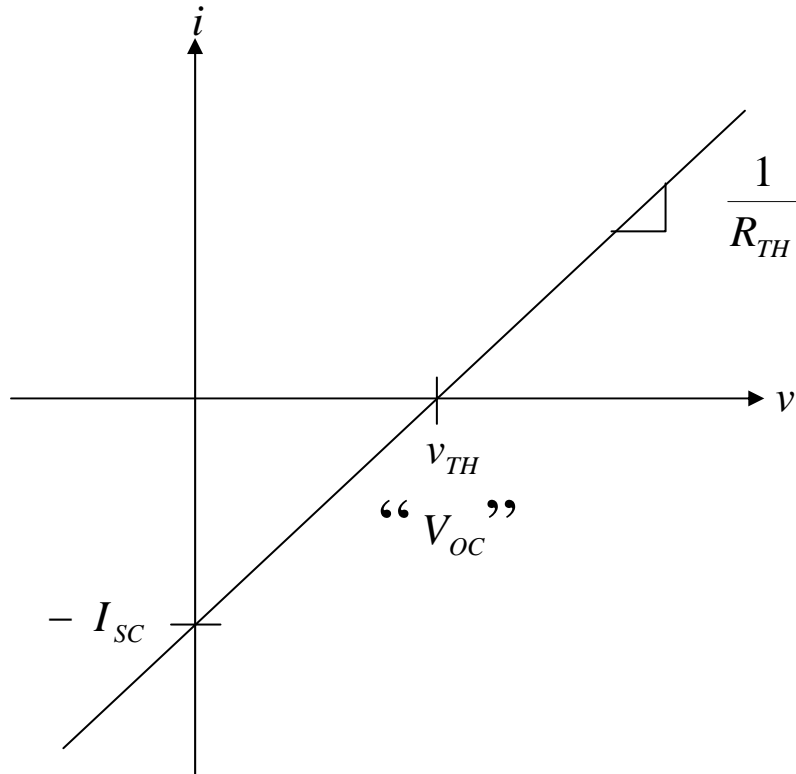


$$R_{TH} :$$

$$R_{TH} = R_2$$



Graphically, $v = v_{TH} + R_{TH}i$



Open circuit
($i \equiv 0$)

$$v = v_{TH} \longleftarrow V_{OC}$$

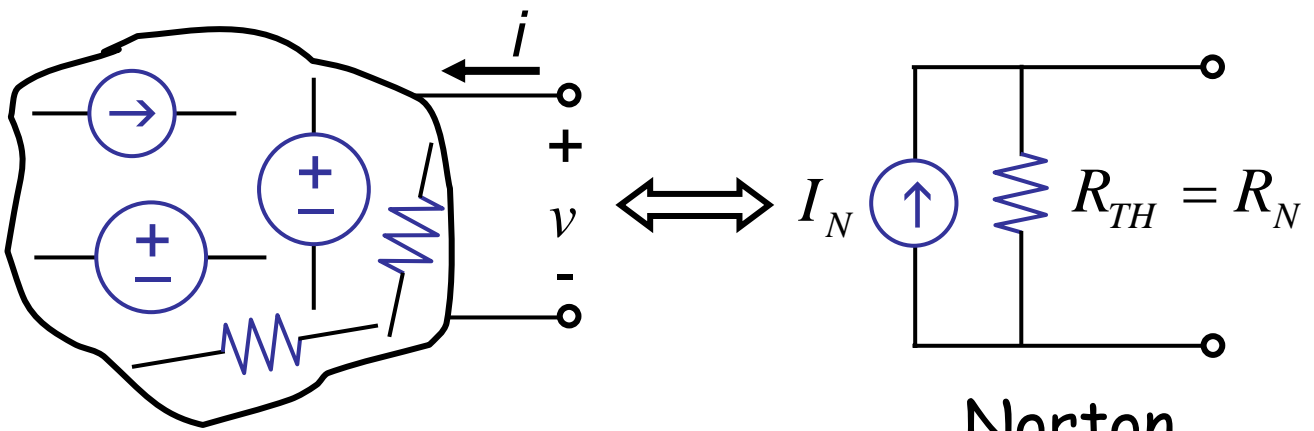
Short circuit
($v \equiv 0$)

$$i = \frac{-v_{TH}}{R_{TH}} \longleftarrow -I_{SC}$$

Method 5:

in recitation,
see text

The Norton Method



Norton
equivalent

$$I_N = \frac{V_{TH}}{R_{TH}}$$

Summary

■ Discretize matter

LMD \longrightarrow LCA

Physics \longrightarrow EE

■ R, I, V Linear networks

■ Analysis methods (linear)

KVL, KCL, I – V

Combination rules

Node method

Superposition

Thévenin

Norton

■ Next

Nonlinear analysis

Discretize voltage

