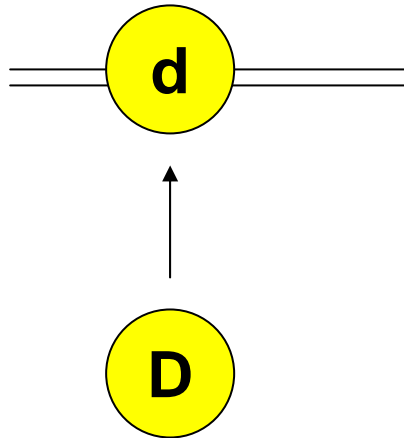
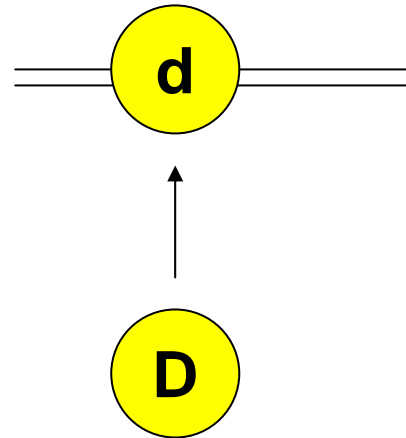


creation of membrane associated minD



first order +
autocatalytic
(linear, oligomerization)

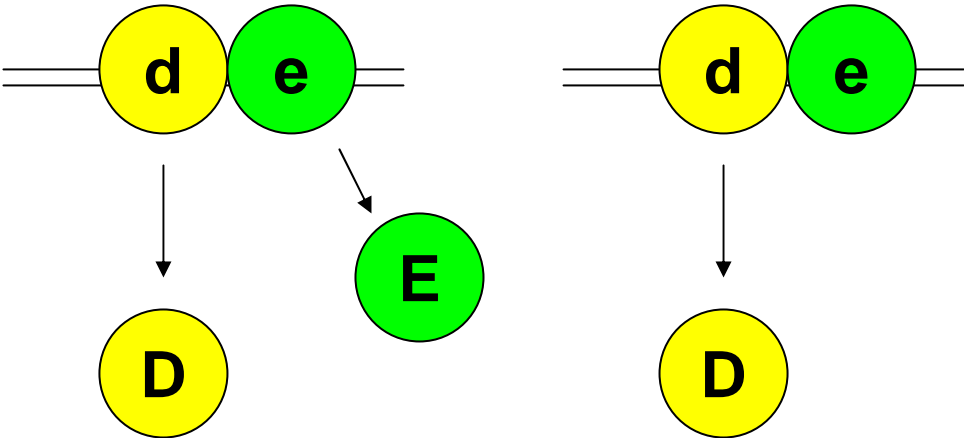
Huang



first order
(inhibited by
membrane minE, MM)

Howard

removal of membrane associated minD



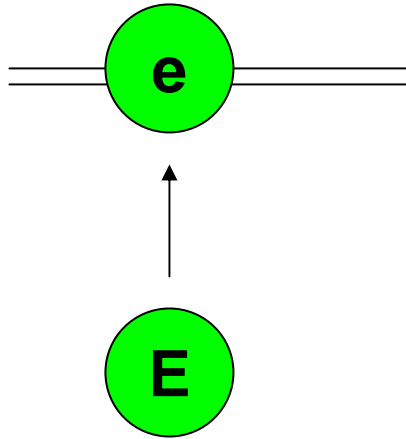
linear with mine
(e also leaves
membrane)

Huang

linear with mine
(e stays in
membrane)

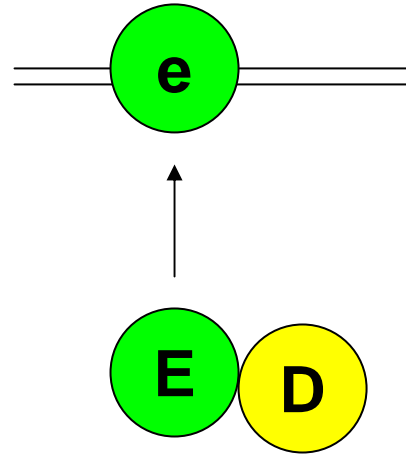
Howard

creation of membrane associated minE



linear with E,
and ~ to minD
in membrane
'membrane
recruitment by d'

Huang

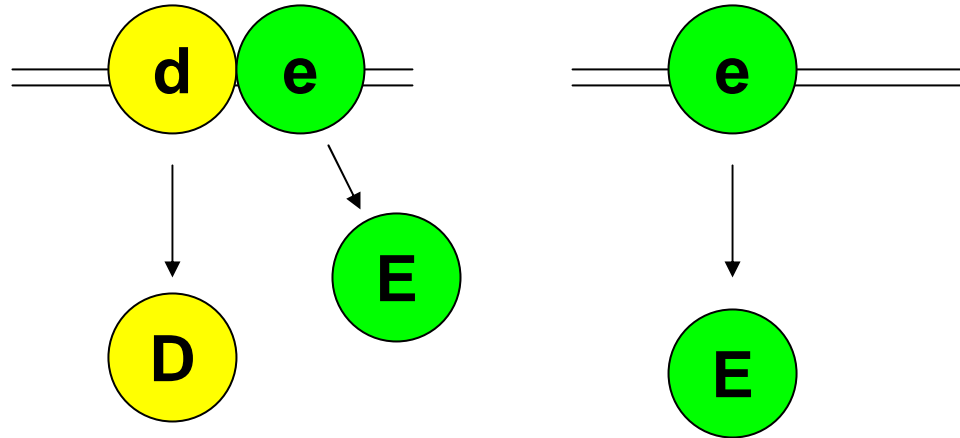


linear with E,
and D

'cytoplasmic
recruitment by D
(D does not enter
membrane)'

Howard

removal of membrane associated minE



linear with mine
e leaves membrane
together with d

KC

linear with mine
mind is not bound
to mine
(inhibited by cytoplasmic minD)

Howard